

# TECH TIPS

Service Call:

**Pins are rotating in the linkage assembly causing pin retainer to bend**

Tools Needed:

9/16" Open End Wrench  
9/16" Socket  
3/8" Ratchet

Model:

**TZ-34**



## Tech Tips Safety Rules



### **Danger**

Failure to obey the instructions and safety rules in the appropriate Operator's Manual and Service Manual for your machine will result in death or serious injury. Many of the hazards identified in the operator's manual are also safety hazards when maintenance and repair procedures are performed.

### **Do Not Perform Maintenance Unless:**

- You are trained and qualified to perform maintenance on this machine.
- You read, understand and obey:
  - manufacturer's instructions and safety rules
  - employer's safety rules and worksite regulations
  - applicable governmental regulations
- You have the appropriate tools, lifting equipment and a suitable workshop.

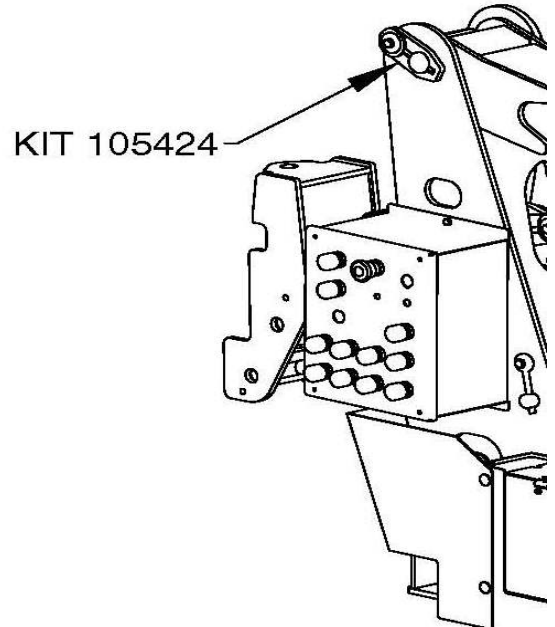
The information contained in this tech tip is a supplement to the service manual. Consult the appropriate service manual of your machine for safety rules and hazards.

## Step 1

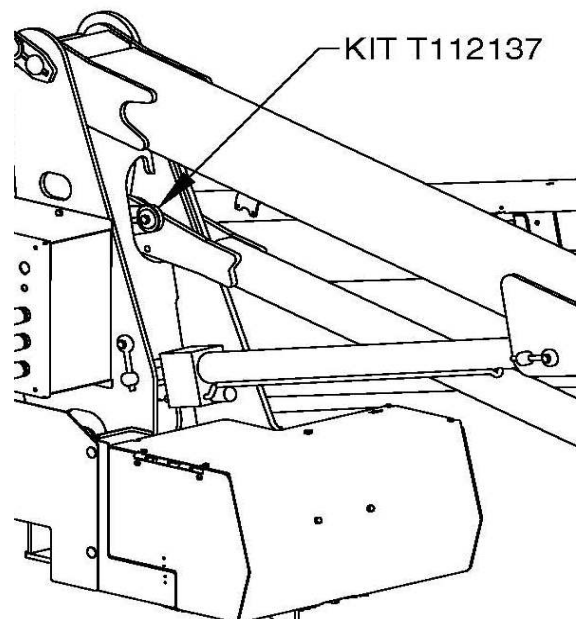
From the attached drawings in steps 2 thru 4, find which location on the link set assembly the pin retainer is located and install designated kit PN# as required.

Note: There is only enough to do one pin location per kit ordered.

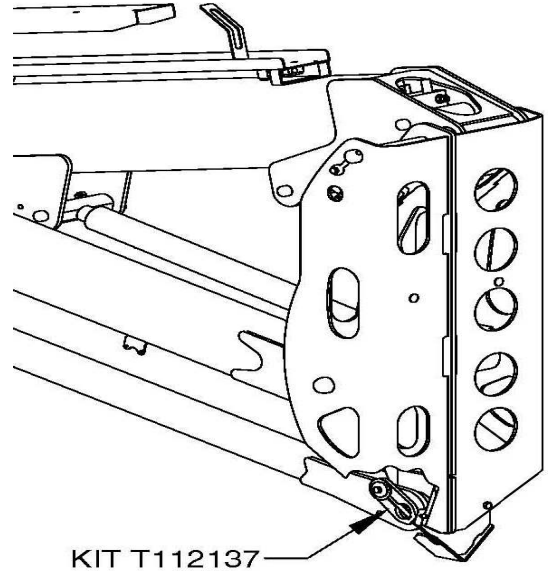
If you should have any further questions, please contact the Genie Industries Service Department at 800-536-1800.



## Step 2



## Step 3



## Step 4

