

TECH TIPS

Service Call:

No start or no high RPM on Ford Tier II engines

Tools Needed:

2 Flat tip screwdriver

Model:

Ford Tier II engines



Tech Tips Safety Rules

Danger

Failure to obey the instructions and safety rules in the appropriate Operator's Manual and Service Manual for your machine will result in death or serious injury. Many of the hazards identified in the operator's manual are also safety hazards when maintenance and repair procedures are performed.

Do Not Perform Maintenance

Unless:

- You are trained and qualified to perform maintenance on this machine.
- You read, understand and obey:
 - manufacturer's instructions and safety rules
 - employer's safety rules and worksite regulations
 - applicable governmental regulations
- You have the appropriate tools, lifting equipment and a suitable workshop.

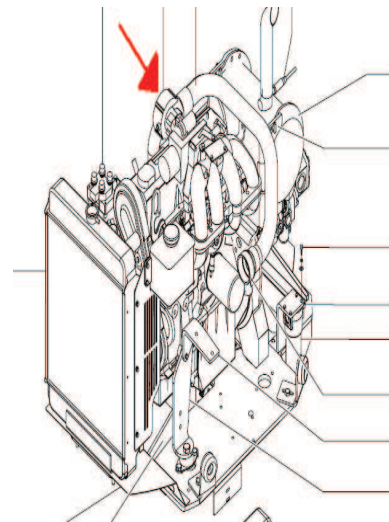
The information contained in this tech tip is a supplement to the service manual. Consult the appropriate service manual of your machine for safety rules and hazards.

Step 1

Verify machine does not either start or increase to high rpm from base and platform controls. Once verified proceed to next step.

Step 2

Locate LP mixer mounted just before throttle body.
(refer to the figure to the right)
Once located, loosen hose clamp and pull mixer and intake assembly away from throttle body, exposing the throttle body inlet to atmosphere.



Step 3

After step 2, start machine and check for high idle.
If engine operates properly replace or rebuild (some units are not repairable) the LP mixer.
Once replaced verify proper operation.

Step 4

If replacement of the mixer does not correct the no start issue, contact Genie Industries Service Department at:
1-800-536-1800 or 425.881.1800.