

Specifications

Models	GR-12		GR-15		GR-20	
Measurements	US	Metric	US	Metric	US	Metric
Working height*	17 ft 4 in	5.45 m	20 ft 8 in	6.52 m	25 ft 9 in	8.02 m
Platform height	11 ft 4 in	3.45 m	14 ft 8 in	4.52 m	19 ft 9 in	6.02 m
A A Platform dimensions (length x width)						
Standard	35 x 29.5 in	.89 x .75 m	35 x 29.5 in	.89 x .75 m	35 x 29.5 in	.89 x .75 m
Standard with extension	55 x 29.5 in	1.4 x .75 m	55 x 29.5 in	1.4 x .75 m	55 x 29.5 in	1.4 x .75 m
Narrow AWP	26 x 20 in	.66 x .51 m	26 x 20 in	.66 x .51 m	26 x 20 in	.66 x .51 m
C Height - stowed	5 ft 2 in	1.57 m	5 ft 2 in	1.57 m	6 ft 6 in	1.98 m
D Length - stowed	4 ft 5 in	1.35 m	4 ft 5 in	1.35 m	4 ft 5 in	1.35 m
A Width	2 ft 5.5 in	.75 m	2 ft 5.5 in	.75 m	2 ft 7.5 in	.80 m
A Ground clearance - center	2.5 in	6 cm	2.5 in	6 cm	2.5 in	6 cm

Productivity

Lift capacity	500 lbs	227 kg	500 lbs	227 kg	350 lbs	159 kg
Lift capacity - extension deck	250 lbs	113 kg	250 lbs	113 kg	250 lbs	113 kg
Drive speed - stowed	2.5 mph	4.0 km/h	2.5 mph	4.0 km/h	2.5 mph	4.0 km/h
Drive speed - raised	0.5 mph	0.8 km/h	0.5 mph	0.8 km/h	0.5 mph	0.8 km/h
Gradeability**	30%		30%		30%	
Turning radius - inside	zero		zero		zero	
Turning radius - outside	4 ft 4 in	1.32 m	4 ft 4 in	1.32 m	4 ft 5 in	1.34 m
Raise / lower speed	20 / 18 sec	20 / 18 sec	21 / 19 sec	21 / 19 sec	24 / 21 sec	24 / 21 sec
Controls	24V DC proportional		24V DC proportional		24V DC proportional	
Tires - solid non-marking	10 x 3 x 8 in	25 x 8 x 20 cm	10 x 3 x 8 in	25 x 8 x 20 cm	10 x 3 x 8 in	25 x 8 x 20 cm

Power

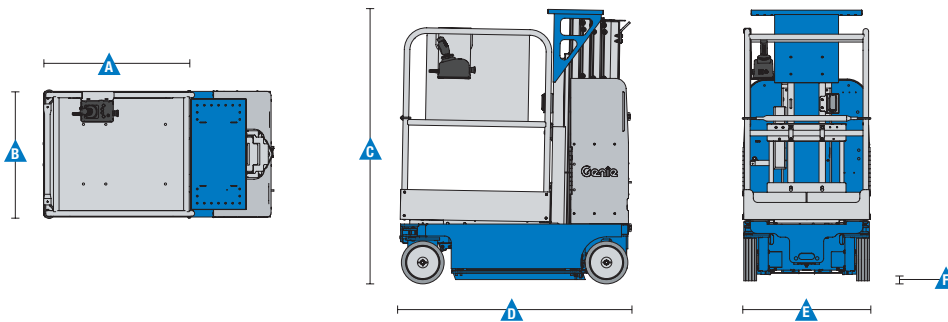
Power source	24V (four 6V 225 Ah batteries)		24V (four 6V 225 Ah batteries)		24V (four 6V 225 Ah batteries)	
Hydraulic system capacity	2.2 gal	8.33 L	2.2 gal	8.33 L	2.2 gal	8.33 L

Weight***

	1,581 lbs	717 kg	2,192 lbs	994 kg	2,451 lbs	1,112 kg
--	-----------	--------	-----------	--------	-----------	----------

Standards Compliance

ANSI A92.6, CSA B354.2, CE Compliance, AS 1418.10



* The metric equivalent of working height adds 2 m to platform height. U.S. adds 6 ft to platform height.

** Gradeability applies to driving on slopes. See operator's manual for details regarding slope rating.

*** Weight will vary depending on options and/or country standards.

Features

Standard Features

Measurements

GR-12

- 17 ft 4 in (5.45 m) working height
- 11 ft 4 in (3.45 m) platform height
- Up to 500 lbs (227 kg) lift capacity

GR-15

- 20 ft 8 in (6.52 m) working height
- 14 ft 8 in (4.52 m) platform height
- Up to 500 lbs (227 kg) lift capacity

GR-20

- 25 ft 9 in (8.02 m) working height
- 19 ft 9 in (6.02 m) platform height
- Up to 350 lbs (159 kg) lift capacity

Productivity

- Work station tray (GR™-12, GR™-15 only)
- Standard platform with sliding midrail
- Auxiliary platform lowering
- Patented rigid mast system
- Compact base 29.5 x 53 in (.75 m x 1.35 m) (GR™-12, GR™-15 only)
- Ground clearance 2.5 inches (stowed)
- SmartLink™ control system
- Battery charge indicator
- On-board diagnostic system
- AC power to platform
- Descent and tilt alarm
- Zero inside turning radius
- Dual wheel brakes
- Hydraulic brake release
- Pothole protection
- Hinged rear ABS covers for easy access to all major electrical and hydraulic components
- Tie down attachment points
- Overhead crane attachment point
- Large forklift pockets access
- Non-marking solid tires
- Telematics ready
- Motion alarm

Power

- Automatic 19 amp battery charger

Options & Accessories

Productivity

- 20 in (.51 m) extension platform with sliding midrail
- 20 in (.51 m) extension platform with gate
- Narrow AWP platform with gate
- Dual flashing beacons
- Fluorescent tube caddy
- Automotive horn
- EE Certification*
- Biodegradable hydraulic oil
- Drive cutout while charging
- 10 ft retractable charging cord*

Power

- 24V (four 6V 225 Ah batteries)
- 800 watt, 24 V inverter (120-230V AC/50-60 Hz)
- AGM maintenance-free batteries

Tire

- Non-marking solid tires



* Not available with automotive horn or inverter
** Not available with inverter

Genie United States

6464 185th Ave. NE
Redmond, WA 98052
Telephone +1 (425) 881-1800
Toll Free in USA/Canada +1 (800)-536-1800
Fax +1 (425) 883-3475

Distributed By: