

Material Lifts

Super Tower™

Specifications

Models	ST™ -20		ST-25	
Measurements	US	Metric	US	Metric
A Height - stowed	6 ft 6.75 in	2.0 m	6 ft 6.75 in	2.2 m
B Length - stowed	2 ft 1.25 in	.64 m	2 ft 1.25 in	.64 m
C Width - stowed	1 ft 10 in	.56 m	1 ft 10 in	.56 m
D Load height minimum	6 in	.15 m	6 in	.15 m
E Ground clearance - center	2 in	.05 m	2 in	.05 m
Working height - forks up	21 ft 2.5 in	6.46 m	26 ft .5 in	7.94 m
- forks down	19 ft 6 in	5.94 m	24 ft 4 in	7.42 m

Productivity

Load capacity - max

18 in (46 cm) load center	800 lbs	364 kg	650 lbs	295 kg
20 in (51 cm) load center	733 lbs	333 kg	583 lbs	265 kg
22 in (56 cm) load center	667 lbs	303 kg	517 lbs	235 kg
24 in (61 cm) load center	600 lbs	273 kg	450 lbs	205 kg
Length - adjustable forks	27.5 in	.70 m	27.5 in	.70 m
Width - adjustable forks (inside)	11.5 - 30 in	.29 - .76 m	11.5 - 30 in	.29 - .76 m
Fork extensions detached each (l/w/d)	30/2/3 in; 4.5 lbs	76/5/8 cm; 2 kg	30/2/3 in; 4.5 lbs	76/5/8 cm; 2 kg
Fork extensions attached each (l/w/d)	25/2/3 in; 4.5 lbs	64/5/8 cm; 2 kg	25/2/3 in; 4.5 lbs	64/5/8 cm; 2 kg
Weight - adjustable forks	52.5 lbs	24 kg	52.5 lbs	24 kg
Outrigger footprint	73.5 x 79.5 in	1.87 x 2.02 m	73.5 x 79.5 in	1.87 x 2.02 m
Casters	standard casters		standard casters	

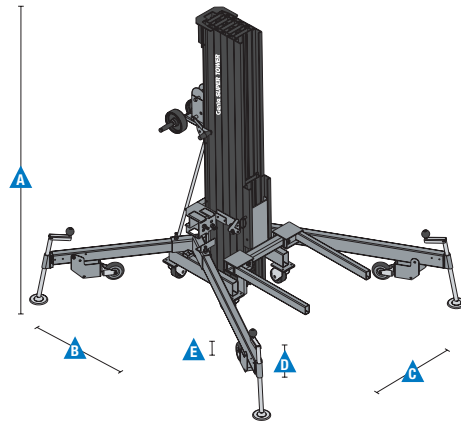
Power

Average cranks - per length unit

standard winch - carriage moving	12.5/ft	41/m	12.5/ft	41/m
standard winch - mast moving	5.5/ft	18/m	5.5/ft	18/m

Weight*

	507 lbs	230 kg	555 lbs	252 kg
--	---------	--------	---------	--------



* Weight will vary depending on options and/or country standards.

Features

Standard Features

Measurements

ST™-20

- 21 ft 2.5 in (6.46 m) maximum lifting height
- Up to 800 lbs (363 kg) load capacity

ST-25

- 26 ft .5 in (7.94 m) maximum lifting height
- Up to 650 lbs (295 kg) load capacity

Productivity

- Use as a single unit, or two or more can be used together to support trusses
- Flat black anodized finish is nearly invisible to audience
- Portable and compact design
- Lightweight, durable aluminum construction
- Single-door access
- Easy set-up with no tools required
- Durable steel forks
- Winch locks load in place
- Easy to transport—no bulky base
- Hold-down mechanism secures carriage during transport

Power

- One-speed manual winch
- Reversible winch handle for easy storage

Options & Accessories

Fork Options

- Load platform
- Fork extensions

Power Options

- Two-speed manual winch (available aftermarket only)



Genie United States

6464 185th Ave. NE
Redmond, WA 98052
Telephone +1 (425) 881-1800
Toll Free in USA/Canada +1 (800)-536-1800
Fax +1 (425) 883-3475

Distributed By:

Effective Date: November, 2018. Product specifications and prices are subject to change without notice or obligation. The photographs and/or drawings in this document are for illustrative purposes only. Refer to the appropriate Operator's Manual for instructions on the proper use of this equipment. Failure to follow the appropriate Operator's Manual when using our equipment or to otherwise act irresponsibly may result in serious injury or death. The only warranty applicable to our equipment is the standard written warranty applicable to the particular product and sale and we make no other warranty, express or implied. Products and services listed may be trademarks, service marks or trade names of Terex Corporation and/or their subsidiaries in the USA and many other countries. Terex, Genie and AWP are registered trademarks of Terex Corporation or its subsidiaries. © 2018 Terex Corporation.