

Genie® GTH™ -636

Specifications

| Models | GTH-636 | |
|-----------------------------------------|-------------|-----------|
| Measurements | US | METRIC |
| Maximum lift height | 36 ft | 10.97 m |
| Maximum forward reach | 21 ft 11 in | 6.68 m |
| Reach at maximum height | 1 ft 10 in | 0.56 m |
| A Height, stowed | 7 ft 10 in | 2.39 m |
| B Length, stowed (without forks) | 17 ft 10 in | 5.44 m |
| Width | 7 ft 11 in | 2.41 m |
| C Wheelbase | 10 ft 11 in | 3.33 m |
| D Ground clearance, center | 1 ft 3 in | 0.38 m |
| E Ground clearance, axle | 1 ft 5 in | 0.43 m |
| Fork cross section | 2×4 in | 51×101 mm |

Productivity

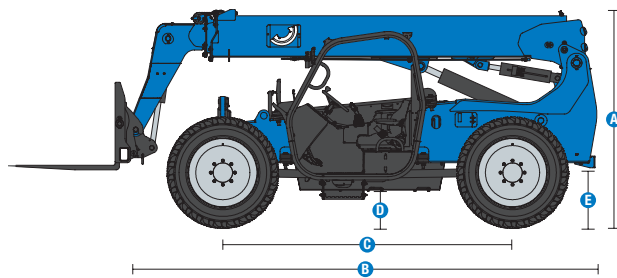
| | | |
|---------------------------------|------------------|---------------------|
| Maximum lift capacity | 6,000 lb | 2,722 kg |
| Lift capacity at maximum height | 5,000 lb | 2,268 kg |
| Lift capacity at maximum reach | 1,500 lb | 680 kg |
| Drive speed | 18 mph | 29 km/h |
| Boom up/down | | 10/8 sec |
| Boom extend/retract | | 11/9 sec |
| Draw bar pull | 15,100 lb | 6,849 kg |
| Frame leveling (side to side) | | 10° |
| Turning radius, outside (4WS) | 13 ft 4 in | 4.06 m |
| Auxiliary hydraulic flow | 2-15 gpm | 7.57-56.8 lpm |
| Auxiliary hydraulic pressure | 3,000 psi | 206.8 bar |
| Tires, standard size | 13×28 in, 12 ply | 0.33×0.71 m, 12 ply |

Power

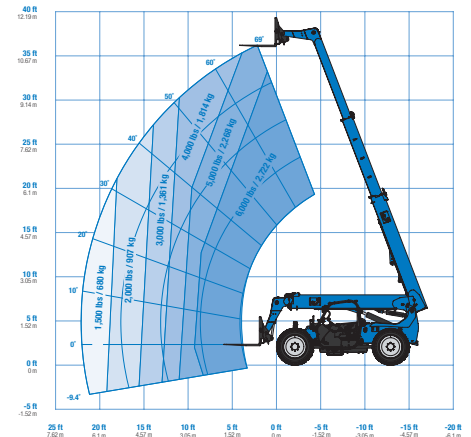
| | | |
|------------------------------------|----------------------|--------|
| Power source | Deutz 2.9 TCD | |
| Electrical system voltage | 12V | |
| Alternator | 95 amp | |
| Battery | 1000 CCA 0°F (-18°C) | |
| Hydraulic tank capacity | 34.0 gal | 128.7L |
| Hydraulic system capacity (w/tank) | 46.5 gal | 176.0L |
| Fuel tank capacity | 27.0 gal | 102.2L |

Weight

| | | |
|---------|-----------|----------|
| Weight* | 17,600 lb | 7,983 kg |
|---------|-----------|----------|



Range of motion GTH-636



(1) Weight will vary depending on options and/or country standards.
 (2) Load ratings vary depending on attachment.

Genie® GTH™-636

SKU: Standard Model

- **GTH63601AF0085:** GTH-636, 74 hp, Open cab
- **GTH63601AF0086:** GTH-636, 74 hp, Open cab, Work lights, Flashing beacons

SKU: Standard Model

- **GTH63601AF0088:** GTH-636, 74 hp, Closed cab w/ heater
 - **GTH63601AF0090:** GTH-636, 74 hp, Closed cab w/ AC and heater
- * Build to Order

| Option availability | | S | S+ | BtO | |
|---------------------------------------------------------------|--------------------------------------------------------------|------------------------------------------------|----|-----|---|
| Cab | Open cab ROPS/FOPS canopy* | ✓ | ✓ | ✓ | |
| | Closed cab: Heater, defrost, wipers, washer, split door* | ✓ | ✓ | ✓ | |
| | Closed cab: AC, heater, defrost, wipers, washer, split door* | ✓ | ✓ | ✓ | |
| | Front and top glass | | ○ | ○ | |
| | Lift Guard White Noise Alarm | | ○ | ○ | |
| | Rear Proximity Alarm | | ○ | ○ | |
| | Rear proximity alarm with back-up camera and display | | ○ | ○ | |
| | Fire extinguisher | | ○ | ○ | |
| | 3in/7.6cm high visibility red retractable seat belt | ✓ | ✓ | ✓ | |
| | Adjustable suspended seat | ✓ | ✓ | ✓ | |
| | Backup alarm | ✓ | ✓ | ✓ | |
| | Full gauge cluster with engine diagnostics | ✓ | ✓ | ✓ | |
| | Fully proportional hydraulic boom controls | ✓ | ✓ | ✓ | |
| | Machine level indicator | ✓ | ✓ | ✓ | |
| | Mirrors - LH canopy mounted and RH chassis mounted | ✓ | ✓ | ✓ | |
| | Multi-function joystick controller | ✓ | ✓ | ✓ | |
| | Power steering | ✓ | ✓ | ✓ | |
| | RH steel mesh screen | ✓ | ✓ | ✓ | |
| | Tilt steering wheel | ✓ | ✓ | ✓ | |
| | Chassis | 74 hp, Deutz TCD 2.9, T4f, Side-mounted engine | ✓ | ✓ | ✓ |
| | | Powershift transmission (PS) 3-speed 74 hp | ✓ | ✓ | ✓ |
| | | Telematics-ready | ✓ | ✓ | ✓ |
| Lift Connect Telematics | | | ○ | ○ | |
| Lift Connect with Access Manager upgrade | | | ○ | ○ | |
| Cold weather package | | | | ○ | |
| Extreme cold weather package | | | | ○ | |
| Fenders set of four | | | ○ | ○ | |
| Lojack stolen vehicle recovery system | | | | ○ | |
| Positive air shutdown system | | | | ○ | |
| Flashing beacon | | | ○ | ○ | |
| Work lights: High output LED cab, boom, rear | | | ○ | ○ | |
| Road and work lights: High output LED front, cab, boom, rear | | | ○ | ○ | |
| Air-filled Enduro A/T tires | | ✓ | ✓ | ✓ | |
| Foam-filled Enduro A/T tires | | | ○ | ○ | |
| Non-marking, foam-filled tires | | | ○ | ○ | |
| Solid rough terrain tires | | | ○ | ○ | |
| Lockable battery disconnect | | | ○ | ○ | |
| 3-mode power steering (2-wheel, 4-wheel coordinated and crab) | ✓ | ✓ | ✓ | | |
| Frame leveling +/- 10 degrees | ✓ | ✓ | ✓ | | |
| Full time 4WD with front limited slip differential (LSD) | ✓ | ✓ | ✓ | | |
| Internal multiple wet disc brakes | ✓ | ✓ | ✓ | | |
| Spring applied, hydraulic release parking brake | ✓ | ✓ | ✓ | | |
| Boom | Genie manual Quick-Attach (QA) system | ✓ | ✓ | ✓ | |
| | Auxiliary hydraulic circuit (15 GPM) | ✓ | ✓ | ✓ | |
| | Boom angle indicator | ✓ | ✓ | ✓ | |
| | Lifting shackle at boom tip | ✓ | ✓ | ✓ | |
| | Self-leveling fork frame | ✓ | ✓ | ✓ | |

*Choose from either Open cab or Closed cab/ Heater only or AC and Heater

- S Standard
- S+ Standard +
- BtO Build to Order
- ✓ Standard Features
- Options



Side Mounted Engine



Lift Shackle



Long Life Tires



GTH Attachments

- Universal skid steer adapter (GTH-5519)
- QA Bucket .5cu.yd/0.38cu.m, 66in/1.67m (GTH-5519)
- QA Bucket 1cu.yd/0.76cu.m, 72in/1.82m (GTH-636, GTH-844)
- QA Bucket 1.5cu.yd/1.15cu.m, 96in/2.44m
- QA Carriage 48in/1.2m, 60in/1.5m, 72in/1.8m
- QA Fork positioner carriage 48in/1.2m
- QA Side shift carriage 48in/1.2m
- QA Side tilt rotating carr. 48in/1.2m, 60in/1.5m, 72in/1.8m
- QA Swing carriage 72in/1.8m
- QA Truss boom 8ft/2.44m Adjustable
- Cubing tines 48in (2x2x48in)/(.05x.05x1.2m) x 6
- Lumber forks 60in (1.75x7x60in)/(.04x.18x1.5m) x 2
- Pallet forks 48in (2x4x48in)/(.05x.1x1.2m) set of 2
- Pallet forks 60in (2x4x60in)/(.05x.1x1.5m) set of 2
- Pallet forks 72in (2x4x72in)/(.05x.1x1.8m) set of 2
- Pallet forks 96in (2x4x96in)/(.05x.1x2.4m) set of 2

Product specifications are subject to change without notice or obligation. Photographs and/or drawings herein are for illustrative purposes only. Refer to the appropriate Operator's Manual for instructions on proper equipment use. Failure to follow instructions in the Operator's Manual may result in serious injury or death. The only warranty applicable to our equipment is the standard written warranty applicable to the particular product and sale and we make no other warranty, express or implied. Products and services listed may be trademarks, service marks or trade names of Terex Corporation and/or their subsidiaries in the USA and many other countries. Terex, Genie, Quality By Design, Xtra Capacity, Lift Power, Lift Guard, Lift Tools, Lift Connect and Tech Pro Link are registered trademarks of Terex Corporation or its subsidiaries.