

Genie® GS™ -2632 & GS-2646

Specifications

Models	GS-2632	GS-2646 E-Drive
Measurements	Metric	Metric
Working height max. - indoor ⁽¹⁾	9.96 m	9.96 m
Working height max. - outdoor ⁽¹⁾	7.79 m	7.99 m
A Platform height max. - indoor	7.96 m	7.96 m
A Platform height max. - outdoor	5.79 m	5.99 m
B Platform height - stowed	1.19 m	1.19 m
C Platform length - outside	2.26 m	2.26 m
C Platform length - outside, extended	3.18 m	3.18 m
Slide-out platform extension deck - length	0.91 m	0.91 m
D Platform width - outside	0.81 m	1.16 m
Guardrail height	1.10 m	1.10 m
Toeboard height	15 cm	15 cm
E Height - stowed (folding rails)	2.31 m	2.31 m
E Height - stowed (rails lowered)	1.94 m	1.70 m
F Length machine - stowed	2.44 m	2.44 m
F Length machine - stowed, extended	3.33 m	3.33 m
G Width	0.81 m	1.16 m
H Wheelbase	1.85 m	1.85 m
I Ground clearance (center) - pothole guards retracted	12 cm	12 cm
I Ground clearance - pothole guards deployed	2.30 cm	2.30 cm

Productivity

Maximum platform occupancy (in/out)	2/1	2/1
Lift capacity	227 kg	454 kg
Lift capacity - extension deck extended	113 kg	113 kg
Max. platform drive height	7.96 m	7.96 m
Drive speed - stowed	3.2 km/h	3.2 km/h
Drive speed - raised	0.8 km/h	0.8 km/h
Gradeability - stowed ⁽²⁾	25%	25%
Turning radius - inside/outside	0/2.13 m	0/2.29 m
Lifting speed - raise/lower	43/33 sec	41/30 sec
Tilt sensor activation (front to back/side to side)	3°/1.5°	3°/1.5°
Tires - solid non-marking	38×13 cm	38×13 cm

Power

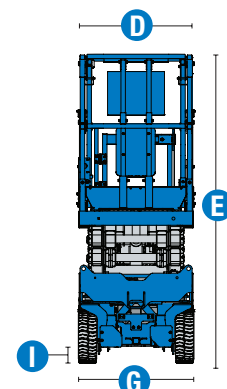
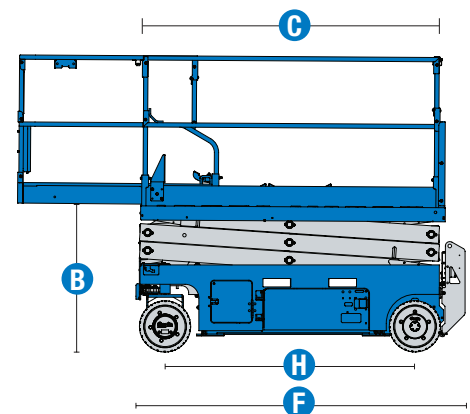
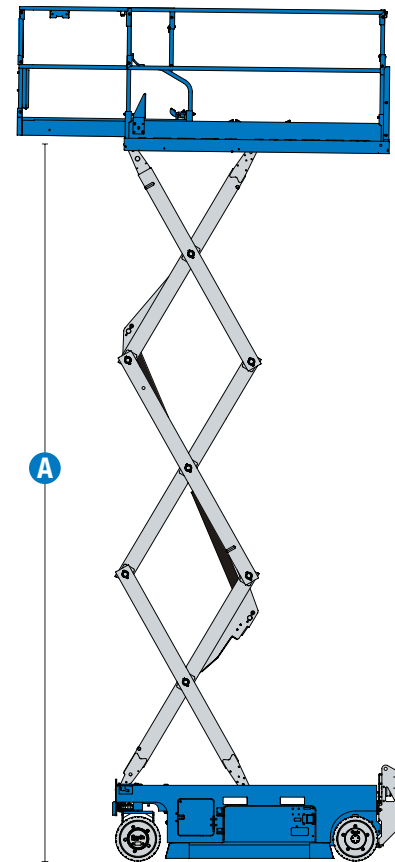
Power	24 V DC (4×6 V 225 Ah)	24 V DC (4×6 V 225 Ah)
Hydraulic tank capacity (E-Drive)	15 L	15 L
Hydraulic tank capacity (hydraulic drive)	17 L	-

Weight⁽³⁾ and Floor Loading⁽⁴⁾

Weight	2,145 kg	1,971 kg
Tire load max.	826 kg	965 kg
Tire contact pressure	824 kPa	935 kPa
Occupied floor pressure	12.91 kPa	9.83 kPa

Sound and Vibration Levels

Sound Pressure level (ground workstation)	< 70 dBA	< 70 dBA
Sound Pressure level (platform workstation)	< 70 dBA	< 70 dBA
Vibrations	< 2.5 m/s ²	< 2.5 m/s ²



(1) The metric equivalent of working height adds 2 m to platform height. US adds 6 ft to platform height.

(2) Gradeability applies to driving on slopes and may vary depending on options and machine configurations. See operator's manual for details regarding slope ratings.

(3) Weight refers to standard configuration and may vary depending on options and/or country standards.

(4) Floor loading information is approximate and may vary depending on options and machine configurations. It should be used only with adequate safety factors.

Genie® GS™ -2632 & GS-2646

Models

- GS-2632, E-Drive
- GS-2632, Hydraulic drive

Models

- GS-2646, E-Drive

Option availability		S	S+	BiO
Power	AGM Maintenance-free batteries			✓
	Rear recessed charger receptacle	✓	✓	✓
Platform	Power to platform with RCBO		✓	✓
	Power to platform, no RCBO	✓	✓	✓
	Air line to platform			✓
	Automotive-style horn		✓	✓
	Lift Tools Work Tray		✓	✓
	AC power to platform	✓	✓	✓
	Descent, tilt and motion alarm	✓	✓	✓
	Diamond plate platform	✓	✓	✓
	Dual LED flashing beacons	✓	✓	✓
	Electric horn	✓	✓	✓
	Folding rails, Full-height swing gate (GS-3246)	✓	✓	✓
	Folding rails, Half-height swing gate (GS-2632)	✓	✓	✓
	Lanyard attachment points	✓	✓	✓
	Platform control guard	✓	✓	✓
	Platform load sense system	✓	✓	✓
	Proportional drive and lift	✓	✓	✓
	Slide out extension deck	✓	✓	✓
SmartLink dual zone control system	✓	✓	✓	
Chassis	Lift Connect Telematics		✓	✓
	Lift Connect with Access Manager upgrade		✓	✓
	Eco32 biodegradable hydraulic oil		✓	✓
	Lift Tools Spill Guard (E-Drive)			✓
	Auxiliary platform lowering	✓	✓	✓
	Dual wheel multi-disc brakes	✓	✓	✓
	Electric brake release	✓	✓	✓
	Fork pockets	✓	✓	✓
	Manual brake release	✓	✓	✓
	On board diagnostic system with battery indicator	✓	✓	✓
	Pothole protection	✓	✓	✓
Solid non-marking tires	✓	✓	✓	
Tech Pro Link connector	✓	✓	✓	
Tie-down and lifting points	✓	✓	✓	

- S Standard
- S+ Standard +
- BiO Build to Order



Indoor & Outdoor Use



Side Forklift Pockets



Optional E-Drive



Genie Genuine Accessories⁽¹⁾

- Lift Tools Productivity Tools
- Tech Pro Link Handheld Device

(1) More accessories available from Genie Genuine Parts.

Product specifications are subject to change without notice or obligation. Photographs and/or drawings herein are for illustrative purposes only. Refer to the appropriate Operator's Manual for instructions on proper equipment use. Failure to follow instructions in the Operator's Manual may result in serious injury or death. The only warranty applicable to our equipment is the standard written warranty applicable to the particular product and sale and we make no other warranty, express or implied. Products and services listed may be trademarks, service marks or trade names of Terex Corporation and/or their subsidiaries in the USA and many other countries. Terex, Genie, Quality By Design, Xtra Capacity, Lift Power, Lift Guard, Lift Tools, Lift Connect and Tech Pro Link are registered trademarks of Terex Corporation or its subsidiaries.

Updated 04/21