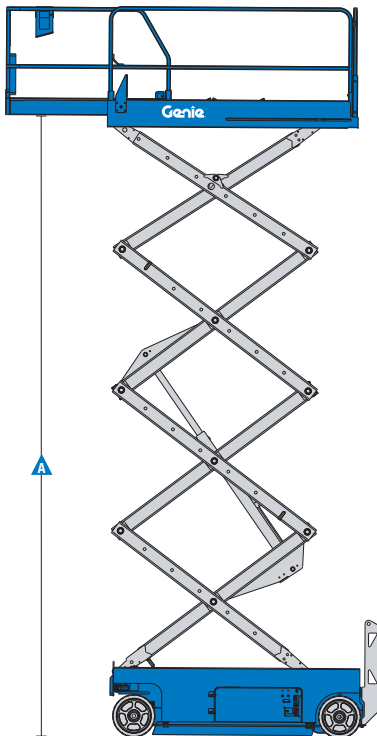
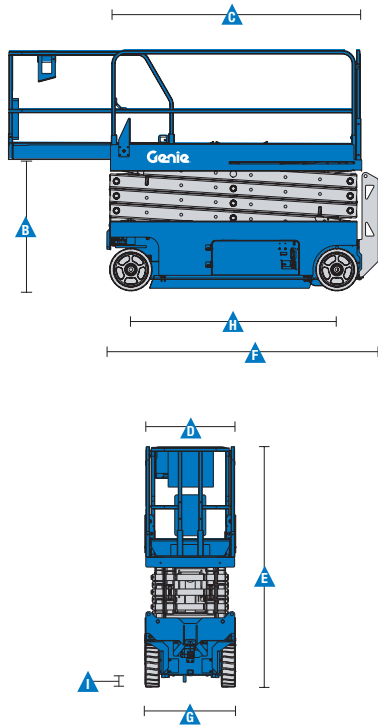


Specifications



Model	GS-4046	
Measurements	US	Metric
Working height maximum - indoor ¹	45 ft 2 in	13.94 m
- outdoor ¹	29 ft	9.01 m
A Platform height maximum - indoor	39 ft 2 in	11.94 m
- outdoor	23 ft	7.01 m
B Platform height - stowed	4 ft 9 in	1.45 m
C Platform length - outside	7 ft 5 in	2.26 m
- extended	10 ft 5 in	3.18 m
D Platform width - outside	3 ft 10 in	1.16 m
E Height - stowed with folding rails raised	8 ft 5 in	2.57 m
- stowed with rails lowered	6 ft 6 in	1.98 m
F Length - stowed	8 ft 2 in	2.48 m
- extended	11 ft 6 in	3.51 m
G Width	3 ft 10 in	1.18 m
H Wheelbase	6 ft 1 in	1.85 m
I Ground clearance - center	5 in	12 cm
- with pothole guards deployed	0.9 in	2.29 cm
Roll-out platform extension deck	3 ft	0.91 m
Guardrail height	3 ft 7 in	1.1 m
Toeboard height	6 in	15 cm

Productivity

Max platform occupancy (in/out)	3/1	
Lift capacity	770 lbs	350 kg
Lift capacity - extension deck	250 lbs	113 kg
Drive height	Full height	
Drive speed - stowed	2.0 mph	3.2 km/h
Drive speed - raised	0.5 mph	0.8 km/h
Gradeability - stowed ²	25%	
Turning radius - inside	zero	
Turning radius - outside	7 ft 6 in	2.29 m
Raise/lower speed	71/41 sec	
Tilt sensor activation - front to back	3°	
- side to side	1.5°	
Controls	proportional	
Drive	dual AC electric drive, front wheel	
Brakes	dual electric, front wheel	
Tires solid non-marking	15 x 5 in	38 x 13 cm

Power

Power source	24 V DC, 210 Ah (four 12V, 210 Ah batteries)	
Hydraulic system capacity	4.9 gal	18.5 L

Weight³ / Floor Loading⁴

Weight - ANSI/CSA/CE	6,871 lbs	3,117 kg
Tire load, maximum:	2,735 lbs	1,241 kg
Tire contact pressure:	170.3 psi	1,174 kPa
Occupied floor pressure:	275 psf	13.17 kPa

Standards Compliance

ANSI A92.20, CSA B354.6, CE EN280, AS 1418.10

¹ The metric equivalent of working height adds 2 m to platform height. U.S. adds 6 ft to platform height.

² Gradeability applies to driving on slopes. Gradeability may vary depending on the weight of options installed on machine. See operator's manual for details regarding slope ratings.

³ Weight will vary depending on options and/or country standards.

⁴ Floor loading information is approximate and does not incorporate different option configurations. It should be used only with adequate safety factors.

Features

Standard Features

Measurements

GS-4046

- 45 ft 2 in (13.94 m) working height
- Up to 770 lbs (350 kg) lift capacity

Productivity

- Drive at full height
- Folding rails with full height swing gate
- SmartLink™ - dual zone control
- Proportional lift and drive
- Platform load sense system
- Platform control guard
- Platform control with battery charge indicator
- AC power to platform
- Universal 27A smart charger
- Lanyard attachment points
- Manual platform lowering valve
- Emergency stop at both platform and ground controls
- Dual front wheel AC electric drive motors (E-drive)
- Dual front wheel electric brakes
- Electric & manual brake release
- Swing-out component trays
- Pothole guards
- Tilt level sensor with audible alarm
- Dual flashing LED beacons
- Descent alarm
- Electronic horn
- Hour meter
- Motion alarm
- Tech Pro™ Link compatible
- Side & rear forklift pockets
- Maintenance free steel diamond plate platform

Power

- 24 V DC, 210 Ah (four 6 V 105 Ah batteries)
- Universal 27 amp smart charger

Standard Features

Platform

- 7 ft 5 in x 3 ft 9.3 in (2.26 x 1.15 m) steel platform
- 3 ft 9.3 in (0.91 m) extension deck

Drive

- Dual front wheel AC electric drive (E-drive)

Tires

- Solid non-marking

Options & Accessories

Productivity Options

- Air line to platform
- Automotive-style horn
- Lift Tools™ Pipe Cradle
- Lift Tools Panel Cradle
- Lift Tools Work Tray
- Lift Guard™ Contact Alarm
- Lift Connect™ Telematics

Power Options

- Power inverter (120 V / 60 Hz)¹
- Drive cutout while charging



¹ Not available with EE rating

Genie United States

6464 185th Ave. NE
Redmond, WA 98052
Telephone +1 (425) 881-1800
Toll Free in USA/Canada +1 (800)-536-1800
Fax +1 (425) 883-3475

Distributed By:

