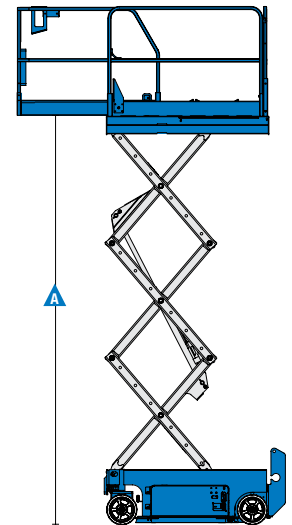
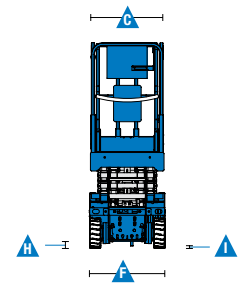
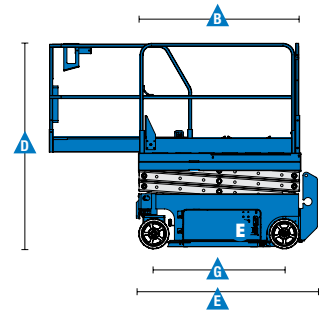


Specifications

MODEL	GS™-1532		GS™-1932	
Measurements	Metric	US	Metric	US
Working height maximum*	6.57 m	21 ft	7.79 m	25 ft
▲ Platform height maximum	4.57 m	15 ft	5.79 m	19 ft
▲ Platform length - outside	1.63 m	5 ft 4 in	1.63 m	5 ft 4 in
extended	2.54 m	8 ft 4 in	2.54 m	8 ft 4 in
Slide-out platform extension deck	0.91 m	3 ft	0.91 m	3 ft
▲ Platform width - outside	0.74 m	2 ft 5 in	0.74 m	2 ft 5 in
Guardrail height:	1.10 m	3 ft 7 in	1.10 m	3 ft 7 in
Toeboard height	0.15 m	6 in	0.15 m	6 in
▲ Height - stowed: fixed rails	1.96 m	6 ft 5 in	2.00 m	6 ft 7 in
folding guardrails	2.03 m	6 ft 8 in	2.11 m	6 ft 11 in
rails folded	1.73 m	5 ft 8 in	1.75 m	5 ft 9 in
▲ Length - stowed	1.83 m	6 ft	1.83 m	6 ft
Length - stowed extended	2.74 m	9 ft	2.74 m	9 ft
▲ Width	0.81 m	2 ft 8 in	0.81 m	2 ft 8 in
▲ Wheelbase	1.32 m	4 ft 4 in	1.32 m	4 ft 4 in
▲ Ground clearance - centre	0.06 m	2.4 in	0.06 m	2.4 in
▲ - with pothole guards deployed	0.02 m	0.75 in	0.02 m	0.75 in



Productivity

Maximum platform occupancy - indoor	2		2	
Maximum platform occupancy - outdoor	1		1	
Lift capacity	272 kg	600 lbs	227 kg	500 lbs
Drive speed - stowed	4.0 km/h	2.5 mph	4.0 km/h	2.5 mph
Drive speed - raised	0.8 km/h	0.5 mph	0.8 km/h	0.5 mph
Gradeability**	30%		30%	
Turning radius - inside	zero		zero	
- outside	1.55 m	5 ft 1 in	1.55 m	5 ft 1 in
Raise / lower speed	16 / 29 sec	16 / 29 sec	16 / 25 sec	16 / 25 sec
Controls	proportional		proportional	
Drive	dual front wheel		dual front wheel	
Multiple disc brakes	dual rear wheel		dual rear wheel	
Tyres - solid non-marking	30 x 11 x 20 cm	12 x 4.5 x 8 in	30 x 11 x 20 cm	12 x 4.5 x 8 in

Power

Power source	24 V (four 6 V 225 Ah batteries)		24 V (four 6 V 225 Ah batteries)	
Hydraulic system capacity	14.2 L	3.75 gal	14.2 L	3.75 gal

Weight***

	1,238 kg	2,729 lbs	1,500 kg	3,307 lbs
--	----------	-----------	----------	-----------

Standards Compliance

CE EN280, PB-10-611-03, AS 1418.10

* The metric equivalent of working height adds 2 m to platform height. U.S. adds 6 ft to platform height.

** Gradeability applies to driving on slopes, see Operator's Manual for details regarding slope ratings.

*** Weight will vary depending on options and/or country standards.

Features

Standard Features

Measurements

GS™ -1532

- 6.57 m (21 ft) working height
- Up to 272 kg (600 lb) lift capacity

GS™ -1932

- 7.79 m (25 ft) working height
- Up to 227 kg (500 lb) lift capacity

Productivity

- 1.63 m x 0.74 m (5 ft 4 in x 2 ft 5 in) steel platform
- Folding rails with half-height swing gate
- 0.91 m (3 ft) extension deck
- Dual front wheel drive
- Proportional lift and drive
- 30% gradeability
- Platform control with battery charge indicator and diagnostic display
- Manual platform lowering valve
- Emergency stop at both platform and ground controls
- Rear wheel multiple disc brakes
- Front wheel hydraulic dynamic braking
- Manual brake release
- Solid non-marking tyres
- Pothole guards
- Tilt alarm
- Descent alarm
- Electronic horn
- Hour meter
- Dual flashing beacons
- Motion alarm

Power

- 24 V DC (four 6 V 225 Ah batteries)
- Universal 20 amp smart charger

Options & Accessories

Productivity

- Platform swing gate, half height
- Air line to platform
- Platform work lights
- Automotive horn

Power Options

- Maintenance-free batteries
- 240 V power to platform



Genie – Toll free number 1800 788 633

Brisbane

HEAD OFFICE

33 Kimberley Street
Darra QLD 4076

Sydney

74 Glendenning Road
Glendenning NSW 2761

Melbourne

133 Logis Boulevard
Dandenong Sth VIC 3175

Adelaide

16-18 Nixon Road
Wingfield SA 5013

Perth

126 Sheffield Road
Welshpool WA 6106

Darwin

33 McCourt Road
Yarrowonga NT 0830

Genie USA

18340 NE 76th Street
P.O. Box 97030
Redmond, Washington
98073-9730

Distributed By:

Effective Date: July, 2015. Product specifications and prices are subject to change without notice or obligation. The photographs and/or drawings in this document are for illustrative purposes only. Refer to the appropriate Operator's Manual for instructions on the proper use of this equipment. Failure to follow the appropriate Operator's Manual when using our equipment or to otherwise act irresponsibly may result in serious injury or death. The only warranty applicable to our equipment is the standard written warranty applicable to the particular product and sale and we make no other warranty, express or implied. Products and services listed may be trademarks, service marks or trade names of Terex Corporation and/or their subsidiaries in the USA and many other countries. Genie is a registered trademark of Terex South Dakota, Inc. © 2015 Terex Corporation.