

# Genie® GS™ -2669 DC, GS-3369 DC & GS-4069 DC

## Specifications

Models	GS-2669 DC	GS-3369 DC	GS-4069 DC
Working height max. <sup>(1)</sup>	10 m	11.96 m	14.3 m
<b>A</b> Platform height max.	8 m	9.96 m	12.3 m
<b>B</b> Platform height - stowed	1.47 m	1.47 m	1.65 m
<b>C</b> Platform length - outside	2.79 m	2.79 m	2.79 m
Platform length - outside, extended	4.32 m	4.32 m	4.32 m
Slide-out platform extension deck - length	1.52 m	1.52 m	1.52 m
<b>D</b> Platform width - outside	1.60 m	1.60 m	1.60 m
Toeboard height	15 cm	15 cm	15 cm
<b>E</b> Height - stowed (folding rails)	2.59 m	2.59 m	2.74 m
Height - stowed (rails lowered)	1.92 m	1.92 m	2.08 m
<b>F</b> Length machine - stowed	3.12 m	3.12 m	3.12 m
Length machine - stowed, extended	4.5 m	4.5 m	4.5 m
Length machine - with outriggers	3.76 m	3.76 m	3.76 m
<b>G</b> Width	1.75 m	1.75 m	1.75 m
<b>H</b> Wheelbase	2.29 m	2.29 m	2.29 m
<b>I</b> Ground clearance (center)	24 cm	24 cm	24 cm

## Productivity

Max. platform occupancy (in/out)	4/4	4/2	3/2
Lift capacity	680 kg	454 kg	363 kg
Lift capacity - extension deck extended	136 kg	136 kg	136 kg
Max. platform drive height	8 m	9.96 m	12.3 m
Drive speed - stowed	7.2 km/h	7.2 km/h	7.2 km/h
Drive speed - raised	0.5 km/h	0.5 km/h	0.5 km/h
Gradeability - stowed <sup>(2)</sup>	35 %	35 %	35 %
Turning radius - inside/outside	2.11 m/4.6 m	2.11 m/4.6 m	2.11 m/4.6 m
Lifting speed - raise/lower	34/31 sec	39/29 sec	61/28 sec
Tilt sensor activation (front to back/side to side)	3°/2°	3°/2°	3°/2°
Max. outrigger leveling (front to back/side to side)	5.3°/11.7°	5.3°/11.7°	5.3°/11.7°

## Drive

Tires - Non-marking, rough terrain	30×66 cm	30×66 cm	30×66 cm
------------------------------------	----------	----------	----------

## Power

Power	48V DC (8×6V 225Ah)	48V DC (8×6V 225Ah)	48V DC (8×6V 225Ah)
Hydraulic tank capacity	68.1 L	68.1 L	68.1 L

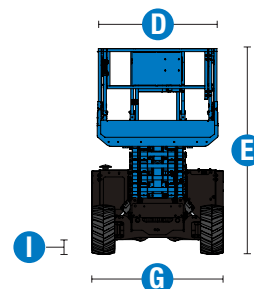
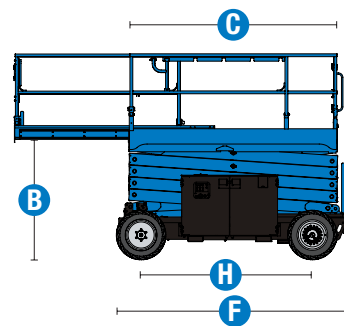
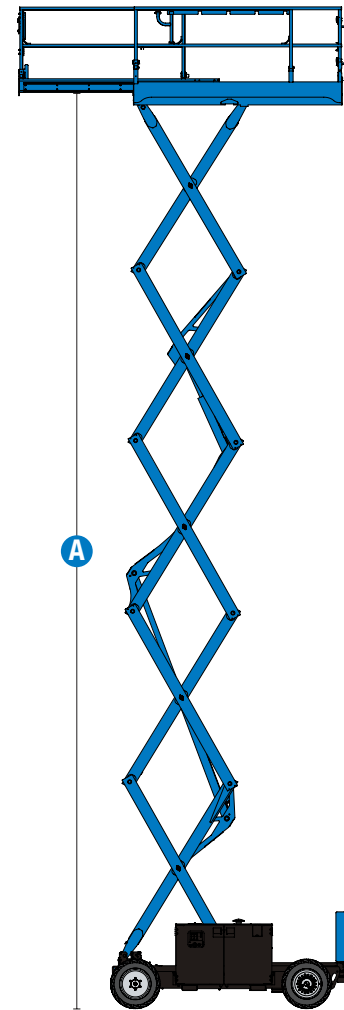
## Weight<sup>(3)</sup> and Floor Loading<sup>(4)</sup>

Weight	3,604 kg	3,487 kg	4,966 kg
Weight with outriggers	3,990 kg	3,873 kg	5,352 kg
Tire load max.	1,512 kg	1,451 kg	1,702 kg
Tire contact pressure	575 kPa	551 kPa	643 kPa
Occupied floor pressure	8.83 kPa	8.19 kPa	10.60 kPa

## Sound and Vibration Levels

Sound Pressure level (ground workstation)	70 dBA	70 dBA	70 dBA
Sound Pressure level (platform workstation)	79 dBA	79 dBA	79 dBA
Vibrations	< 2.5 m/s <sup>2</sup>	< 2.5 m/s <sup>2</sup>	< 2.5 m/s <sup>2</sup>

(1) The metric equivalent of working height adds 2 m to platform height. US adds 6 ft to platform height.  
 (2) Gradeability applies to driving on slopes and may vary depending on options and machine configurations. See operator's manual for details regarding slope ratings.  
 (3) Weight refers to standard configuration and may vary depending on options and/or country standards.  
 (4) Floor loading information is approximate and may vary depending on options and machine configurations. It should be used only with adequate safety factors.



# Genie® GS™ -2669 DC, GS-3369 DC & GS-4069 DC

## SKU: Standard Model

- GS-2669 DC\*
- GS-3369 DC\*
- GS-4069 DC\*

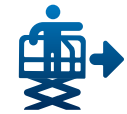
\* Build to Order

Option availability		S	S+	BtO
Power	Standard FLA flooded lead acid batteries			✓
	High capacity DC battery (Standard on GS-4069 DC)		○	
	48V DC drive system			✓
Platform	Folding rails, Full-height swing gate			✓
	Single slide-out extension deck			✓
	Air line to platform		○	
	AC power to platform			✓
	Diamond plate platform deck			✓
	Electronic horn			✓
	Lanyard attachment points			✓
	Platform control guard (PCON)			✓
	Platform load sense system			✓
	Proportional drive and lift			✓
	Self-closing entry gate			✓
	SmartLink dual zone control system			✓
	Chassis	Lift Connect Telematics		○
Lift Connect with Access Manager upgrade			○	
Rough Terrain, foam-filled, non-marking tires				✓
Auto leveling hydraulic outriggers			○	
2 wheel drive				✓
Active oscillating axle				✓
Descent, tilt and motion alarm				✓
Dual LED flashing beacons				✓
Dual wheel multi-disc brakes				✓
On-board diagnostic system with battery charge indicator				✓
Rear axle sealed AC drive motors			✓	
Tech Pro Link connector			✓	

- S Standard
- S+ Standard +
- BtO Build to Order
- ✓ Standard Features
- Options



Rough Terrain Capabilities



Full Height Drive



Sealed AC Drive Motors



### Genie Genuine Accessories<sup>(1)</sup>

- Lift Tools Productivity Tools
- Lift Connect Telematics
- Tech Pro Link Handheld Device

(1) More accessories available from Genie Genuine Parts.

Product specifications are subject to change without notice or obligation. Photographs and/or drawings herein are for illustrative purposes only. Refer to the appropriate Operator's Manual for instructions on proper equipment use. Failure to follow instructions in the Operator's Manual may result in serious injury or death. The only warranty applicable to our equipment is the standard written warranty applicable to the particular product and sale and we make no other warranty, express or implied. Products and services listed may be trademarks, service marks or trade names of Terex Corporation and/or their subsidiaries in the USA and many other countries. Terex, Genie, Quality By Design, Xtra Capacity, Lift Power, Lift Guard, Lift Tools, Lift Connect and Tech Pro Link are registered trademarks of Terex Corporation or its subsidiaries.