

Genie® Genie Lift™ GL™ -4, GL-8, GL-10 & GL-12

Specifications

Models	GL-4	GL-8	GL-10	GL-12
A Height - stowed	1.72 m	1.72 m	2.00 m	2.31 m
Height - max. forks down	1.26 m	2.51 m	3.01 m	3.66 m
Height - max. forks up	1.80 m	3.06 m	3.56 m	4.20 m
B Standard base Length - stowed	0.30 m	0.30 m	—	—
B Straddle base Length - stowed	0.49 m	0.49 m	0.49 m	0.49 m
C Standard base Length - operating	0.88 m	0.88 m	—	—
Straddle base Length - operating	1.09 m	1.09 m	1.09 m	1.09 m
Counterweight base Length - operating	0.72 m	0.72 m	0.72 m	—
C Standard base Width - platform	0.63 m	0.63 m	—	—
C Straddle/Counterweight base Width - stowed	0.73 m	0.73 m	0.73 m	0.73 m
C Straddle/Counterweight base Width - max.	1.10 m	1.10 m	1.10 m	1.10 m
C Straddle/Counterweight base Width - max. inside	0.91 m	0.91 m	0.91 m	0.91 m

Productivity

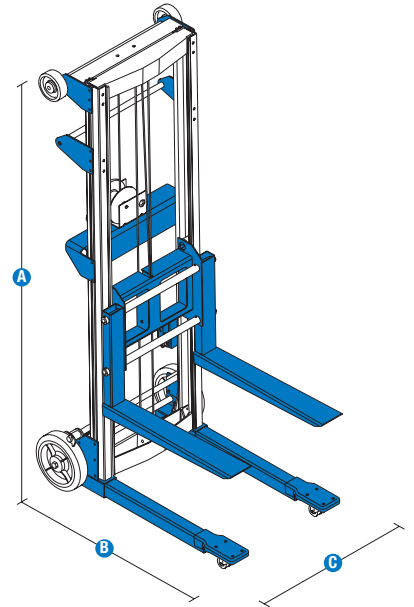
Load height min. (forks down)	9 cm	9 cm	9 cm	9 cm
Load height min. (straddle Base)	5.1 cm	5.1 cm	5.1 cm	5.1 cm
Ground clearance - center ^{(1) (2) (3)}	2 cm	2 cm	2 cm	2 cm
Average cranks - standard winch	38/m	38/m	38/m	38/m
Fork length	0.57 m	0.57 m	0.57 m	0.57 m
Fork width - outside	0.52 m	0.52 m	0.52 m	0.52 m
Fork width - inside	33 cm	33 cm	33 cm	33 cm
Load platform length	0.58 m	0.58 m	0.58 m	0.58 m
Load platform width	0.56 m	0.56 m	0.56 m	0.56 m
Load capacity at 14 in (36 cm) load center	227 kg	182 kg	159 kg	159 kg
Boom length	51 cm	51 cm	51 cm	51 cm
Boom attachment points	34/48 cm	34/48 cm	34/48 cm	34/48 cm

Power

Average cranks - per length unit	46/m	46/m	46/m	46/m
Standard winch - carriage moving	46/m	46/m	46/m	46/m
Standard winch - mast moving	21.3/m	21.3/m	21.3/m	21.3/m

Weight and Floor Loading

Weight - Standard base standard caster options	51 kg	60 kg	—	—
Weight - Standard base pneumatic caster options	53 kg	62 kg	—	—
Weight - Straddle base standard caster options	57 kg	66 kg	68 kg	70 kg
Weight - Straddle base pneumatic caster options	59 kg	68 kg	69 kg	72 kg
Weight - 4-point caster option A	62 kg	72 kg	73 kg	76 kg
Weight - 4-point caster option B	63 kg	73 kg	75 kg	77 kg
Weight - Counterweight base standard caster options	178 kg	186 kg	196 kg	—



Genie® Genie Lift™ GL™ -4, GL-8, GL-10 & GL-12

SKU: Standard Model

- GL-4 Standard base*
- GL-4 Straddle base*
- GL-4 Counterweight base*

* Build to Order

SKU: Standard Model

- GL-8 Standard base*
- GL-8 Straddle base*
- GL-8 Counterweight base*

Option availability		S	S+	BtO
Chassis	Foot-release brakes			<input type="radio"/>
	Portable compact design for easy transport and storage			<input checked="" type="checkbox"/>
	Quick setup requires no tools			<input checked="" type="checkbox"/>
	Rolls easily through single door			<input checked="" type="checkbox"/>
Mast	Heavy duty winch			<input type="radio"/>
	One-speed manual winch, locks load in place			<input checked="" type="checkbox"/>
	Reversible winch handle for easy storage			<input checked="" type="checkbox"/>
	Transport carriage lock			<input checked="" type="checkbox"/>
Wheels	10in/25.4cm pneumatic rear wheels and 2.5in/6.4cm front swivel (Standard, Straddle)			<input type="radio"/>
	4-point swivel caster A: 4in/10.2cm rear, 2in/5.1cm front (Straddle)			<input type="radio"/>
	4-point swivel caster B: 5in/12.7cm rear, 2in/6.4cm front (Straddle)			<input type="radio"/>
	5in/12 cm rear swivel casters, 4in/10cm fixed front wheels (Counterweight)			<input checked="" type="checkbox"/>
	8in/20.32cm rear and 2in/5cm front, solid non-marking wheels and casters (Standard, Straddle)			<input checked="" type="checkbox"/>
Attachments	Ladder (Standard, Straddle - Available aftermarket only)			<input type="radio"/>
	Durable standard steel forks			<input checked="" type="checkbox"/>
	Boom			<input type="radio"/>
	Load platform			<input type="radio"/>

Heavy duty winch (not available with Ladder option)

- S Standard
- S+ Standard +
- BtO Build to Order
- ✓ Standard Features
- Options



Lightweight



Truck Portable



Material Handling Attachments



Genie Genuine Accessories⁽¹⁾

(1) More accessories available from Genie Genuine Parts.

Product specifications are subject to change without notice or obligation. Photographs and/or drawings herein are for illustrative purposes only. Refer to the appropriate Operator's Manual for instructions on proper equipment use. Failure to follow instructions in the Operator's Manual may result in serious injury or death. The only warranty applicable to our equipment is the standard written warranty applicable to the particular product and sale and we make no other warranty, express or implied. Products and services listed may be trademarks, service marks or trade names of Terex Corporation and/or their subsidiaries in the USA and many other countries. Terex, Genie, Xtra Capacity, Lift Power, Lift Guard, Lift Tools, Lift Connect and Tech Pro Link are registered trademarks of Terex Corporation or its subsidiaries.