

# Genie® Superlift Advantage® SLA™ -5, SLA-10, SLA-15, SLA-20 & SLA-25

## Specifications

Models	SLA-5	SLA-10	SLA-15	SLA-20	SLA-25
Working height - standard forks (forks down)	1.49 m	2.97 m	4.46 m	5.94 m	7.42 m
Working height - standard forks (forks up)	2.0 m	3.49 m	4.98 m	6.46 m	7.94 m
Working height - adjustable forks (forks down)	1.49 m	2.97 m	4.46 m	5.94 m	7.42 m
Working height - adjustable forks (forks up)	2.0 m	3.49 m	4.98 m	6.46 m	7.94 m
Working height - flat forks	1.49 m	2.97 m	4.46 m	-	-
Working height - boom <sup>(3)</sup>	1.79 m	3.28 m	4.76 m	6.25 m	7.42 m
Working height - load platform <sup>(2)</sup> - forks down	1.49 m	2.97 m	4.46 m	5.94 m	7.42 m
Working height - load platform <sup>(2)</sup> - forks up	2.0 m	3.49 m	4.98 m	6.46 m	7.94 m
<b>A</b> Height - stowed	1.99 m	1.99 m	1.99 m	1.99 m	1.99 m
<b>B</b> Standard base Length - stowed	0.74 m	0.74 m	0.74 m	0.74 m	0.79 m
<b>C</b> Length - operating	1.51 m	1.51 m	1.88 m	2.08 m	2.08 m
<b>D</b> Width - stowed <sup>(1)</sup>	0.80 m	0.80 m	0.80 m	0.80 m	0.80 m
Width - with stabilizers lowered	1.85 m	1.85 m	1.85 m	1.85 m	1.85 m
<b>E</b> Ground clearance	5 cm	5 cm	5 cm	5 cm	5 cm
<b>F</b> Mast tilt angle	2.5° - 3° - 3.5° - 4.5°	2.5° - 3° - 3.5° - 4.5°	2.5° - 3° - 3.5° - 4.5°	2.5° - 3° - 3.5° - 4.5°	2.5° - 3° - 3.5° - 4.5°
<b>G</b> Load height min.	15 cm	15 cm	15 cm	15 cm	15 cm

## Productivity

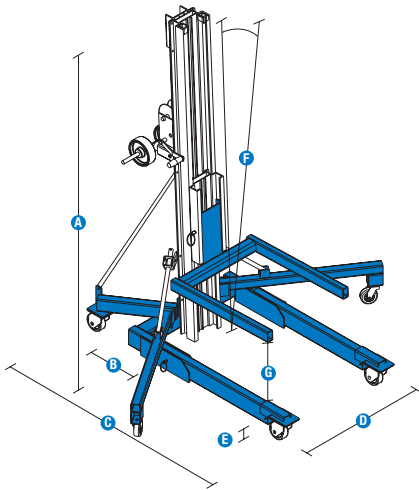
Load capacity at 18 in (46 cm) load center	454 kg	454 kg	363 kg	363 kg	295 kg
Load capacity at 24 in (61 cm) load center	454 kg	454 kg	363 kg	272 kg	204 kg
Load capacity at 42 in (107 cm) load center	159 kg	181 kg	227 kg	159 kg	113 kg

## Power

Average cranks - per length unit	41/m	41/m	41/m	41/m	41/m
Standard winch - carriage moving	41/m	41/m	41/m	41/m	41/m
Standard winch - mast moving	18/m	18/m	18/m	18/m	18/m

## Weight and Floor Loading

Weight - Standard	98 kg	118 kg	151 kg	184 kg	204 kg
Weight - Straddle base	117 kg	137 kg	163 kg	-	-



Load Handling Attachments	Dimensions	Weight
	METRIC	METRIC
Standard forks (l/w/d) <sup>(4)</sup>	69/60/6 cm	18 kg
Standard fork size (each)	6/4 cm	
Adjustable forks assembly (l/w/d) <sup>(3) (4)</sup>	70/61-76/6 cm	24 kg
Adjustable fork size max (each)	6/4 cm	24 kg
Fork extensions detached (each) (l/w/d) <sup>(3) (4)</sup>	76/5/8 cm	2 kg
Fork extension attached (each) (l/w/d) <sup>(3) (4)</sup>	64/5/8 cm	2 kg
Flat forks (l/w/d) <sup>(4)</sup>	81/41-79/3.8 cm	36 kg
Boom (l/w/d) <sup>(3) (4)</sup>	46,61,81,112/4/15 cm	18 kg
Load platform (l/w/d) <sup>(3) (4)</sup>	70/58/7 cm	14 kg

(1) Outside dimensions.

(2) For use with standard and adjustable forks only.

(3) Measured from ground to bottom of shackle.

(4) Length/width/depth, from end of carriage and outside of forks

# Genie® Superlift Advantage® SLA™-5, SLA-10, SLA-15, SLA-20 & SLA-25

## SKU: Standard Model

- SLA-5, Standard base\*
- SLA-5, Straddle base\*
- SLA-10, Standard base\*
- SLA-10, Straddle base\*

\* Build to Order

## SKU: Standard Model

- SLA-15, Standard base\*
- SLA-15, Straddle base\*
- SLA-20, Standard base, Stabilizer set\*
- SLA-25, Standard base, Stabilizer set\*

Option availability		S	S+	BtO
Chassis	Rear transport wheel assembly			<input type="radio"/>
	Heavy-duty design			<input checked="" type="checkbox"/>
	Portable compact design for easy transport and storage			<input checked="" type="checkbox"/>
	Quick setup requires no tools			<input checked="" type="checkbox"/>
	Stabilizer set (standard on SLA-20, SLA-25, not on Straddle base)			<input type="radio"/>
Mast	Mast brake			<input checked="" type="checkbox"/>
	One-speed manual winch, locks load in place			<input checked="" type="checkbox"/>
	Patented telescoping mast system			<input checked="" type="checkbox"/>
	Strong and lightweight aluminum telescoping mast			<input checked="" type="checkbox"/>
	Transport carriage lock			<input checked="" type="checkbox"/>
Wheels	Two speed winch (SLA-15, SLA-20, SLA-25 only)			<input type="radio"/>
	4in/10cm non-marking front casters			<input checked="" type="checkbox"/>
Attachments	5in/12cm rear casters with side brakes			<input checked="" type="checkbox"/>
	Durable standard steel forks			<input checked="" type="checkbox"/>
	Adjustable width forks			<input type="radio"/>
	Boom			<input type="radio"/>
	Flat forks (SLA-5, SLA-10, SLA-15)			<input type="radio"/>
Attachments	Fork extensions (use on Standard or Adjustable forks)			<input type="radio"/>
	Load platform			<input type="radio"/>

- S Standard
- S+ Standard +
- BtO Build to Order
- Standard Features
- Options



Quick Setup



Truck Portable



Max Lift Capacity  
1000lb/454kg



### Genie Genuine Accessories<sup>(1)</sup>

(1) More accessories available from Genie Genuine Parts.

Product specifications are subject to change without notice or obligation. Photographs and/or drawings herein are for illustrative purposes only. Refer to the appropriate Operator's Manual for instructions on proper equipment use. Failure to follow instructions in the Operator's Manual may result in serious injury or death. The only warranty applicable to our equipment is the standard written warranty applicable to the particular product and sale and we make no other warranty, express or implied. Products and services listed may be trademarks, service marks or trade names of Terex Corporation and/or their subsidiaries in the USA and many other countries. Terex, Genie, Xtra Capacity, Lift Power, Lift Guard, Lift Tools, Lift Connect and Tech Pro Link are registered trademarks of Terex Corporation or its subsidiaries.