



Installation Instructions

Lift Connect™ Access Manager

***Refer to Models Included
section for model and serial
number information***

Original Instructions
First Edition
First Printing
Part No. 1310049GT
March 2023

Introduction



Observe and Obey:

- This procedure shall be completed by a person trained and qualified on the repair of this machine.
- Immediately tag and remove from service a damaged or malfunctioning machine.
- Repair any machine damage or malfunction before operating the machine.

Before Starting Installation:

- Read, understand and obey the safety rules and operating instructions in the appropriate operator's manual.
- Be sure that all necessary tools and parts are available and ready for use.
- Read this procedure completely and adhere to the instructions. Attempting shortcuts may produce hazardous conditions.

Note: These installation instructions only apply to the Genie models and serial number ranges listed within this document.

If you have any further questions regarding these instructions or need assistance, please contact Genie Product Support at one of the following telephone numbers:

United States:	+ 800 536 1800
Canada:	+ 425 881 1800
Europe:	
UK regions	+ 311 65799800
Nordic regions	+ 311 65799801
Middle East / South Africa	+ 311 65799802
French regions	+ 311 65799803
German regions	+ 311 65799804
BNL regions	+ 311 65799805
IT / SE regions	+ 311 65799806
Spanish regions	+ 311 65799807
Australia	+ 61 7 3456 4444
Brazil	+ 0 800 031 0100
South America - other locations	+ 56 9 6431 2110
All other locations	+ 1 425 881 1800

Copyright © 2023 by Terex Corporation

First Edition: First Printing, March 2023

Genie and "Z" are registered trademarks of Terex South Dakota, Inc. in the U.S.A. and many other countries.

"Lift Connect" and "XC" are trademarks of Terex South Dakota, Inc.



Introduction

Models Included

Model	From serial number
Z-30/20 N	from Z30N15-16299
Z-30/20 N RJ	from Z30N15D-101
Z-33/18	from Z331815M-124 from Z3318M-2674
Z-34/22 IC/BE	from Z3415-10384 from Z3415ND-101
Z-34/22 N	from Z34N15-11814 from Z3415ND-101
Z-34/22 DC	from Z3415-10371
Z-40/23 N	from Z40N15-2779 to Z40NF-5751 from Z40NF-5752
Z-45 XC	from Z4525XCF-101 to Z4525XCF-407 from Z4525XCF-408
Z-45 DC/BE	from Z452515A-53271 to Z4525F-61471 from Z4525F-61472
Z-51/30	from Z5130M-2000
Z-62/40	from Z6215A-101 to Z62H-4367 from Z6216N-101 to Z6216N-2999 from Z62H-4368 from Z62D-482
Z-80/60	from Z8015-5353 to Z80-7415 from Z80-7416

Tools Required:

9/32 inch wrench
 3/32 inch hex key
 Small flathead screwdriver
 Flathead screwdriver
 Wire crimper
 Wire stripper
 Cable tie gun or wire cutters
 11/64 inch / 4.4 mm drill bit
 Step drill bit, 1 inch / 25 mm
 Drill motor
 Mild cleaning solvent
 Soft clean cloth

Introduction

Components of Kit 1311937GT

Description	Genie part number	Qty.
Cable tie, 4 inch, black	21121GT	6
Flat washer, M4, DIN125, ZAB	825357GT	4
Adjustable adhesive wire clamp	1273629GT	4
Nylock nut, M4-0.7, DIN985, 8, ZAB	1283019GT	2
Access management keypad	1296895GT	1
Access management harness	1309221GT	1
Screw, BHC, M4-0.7 x 35, 10.9, ZAB	1300832GT	2
Access manager users guide	1312446GT	1
Installation instructions	1310049GT	1

Components of Kit 1310047GT

Description	Genie part number	Qty.
Cable tie, 4 inch, black	21121GT	6
Flat washer, M4, DIN125, ZAB	825357GT	4
Adjustable adhesive wire clamp	1273629GT	4
Nylock nut, M4-0.7, DIN985, 8, ZAB	1283019GT	2
Access management keypad	1296895GT	1
Access management harness	1305083GT	1
Screw, BHC, M4-0.7 x 35, 10.9, ZAB	1300832GT	2
Access manager users guide	1312446GT	1
Installation instructions	1310049GT	1

Components of Kit 1310046GT

Description	Genie part number	Qty.
Cable tie, 4 inch, black	21121GT	6
Flat washer, M4, DIN125, ZAB	825357GT	4
Adjustable adhesive wire clamp	1273629GT	4
Nylock nut, M4-0.7, DIN985, 8, ZAB	1283019GT	2
Access management keypad	1296895GT	1
Access management harness	1296896GT	1
Screw, BHC, M4-0.7 x 35, 10.9, ZAB	1300832GT	2
Access manager users guide	1312446GT	1
Installation instructions	1310049GT	1

Components of Kit 1313752GT

Description	Genie part number	Qty.
Cable tie, 4 inch, black	21121GT	6
Flat washer, M4, DIN125, ZAB	825357GT	4
Adjustable adhesive wire clamp	1273629GT	6
Nylock nut, M4-0.7, DIN985, 8, ZAB	1283019GT	2
Access management keypad	1296895GT	1
Access management harness	1296897GT	1
Screw, BHC, M4-0.7 x 35, 10.9, ZAB	1300832GT	2
Access manager users guide	1312446GT	1
Installation instructions	1310049GT	1

Procedure

All Models:

Note: Perform this procedure on a firm, level surface with the machine in the stowed position.

- 1 Turn the key switch to the off position and push in the red Emergency Stop button to the off position at the ground controls.
- 2 Locate and disconnect the black negative battery cable from the engine battery.

⚠ WARNING Electrocuting/burn hazard. Contact with electrically charged circuits could result in death or serious injury. Remove all rings, watches and other jewelry.

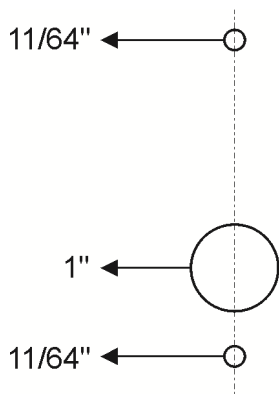
- 3 Working at the ground control side, mark the locations on the cover to drill the required holes.

Note: Refer to the *Drilling Diagram* section that is appropriate for your machine.

- 4 Drill the center hole using 1 inch / 25 mm step drill bit suitable for drilling fiberglass.

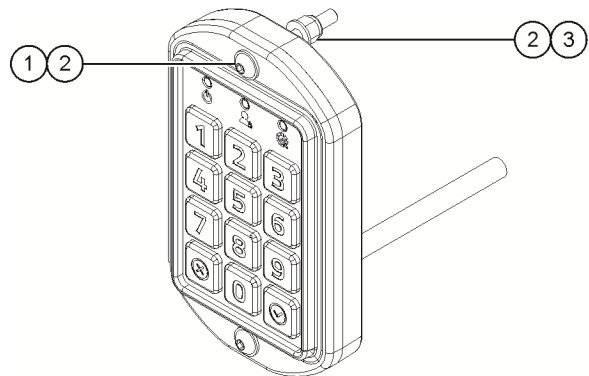
⚠ WARNING Bodily injury hazard. Failure to wear proper PPE could result in irritate eyes, skin and respiratory system due to fiberglass dust.

- 5 Using an 11/64 inch / 4,4 mm drill bit, drill and deburr the remaining two holes.



- 6 Install the keypad assembly using the holes drilled as reference and secure it using the provided retaining fasteners.

Genie part numbers 1296895GT, 1300832GT, 1283019GT, 825357GT

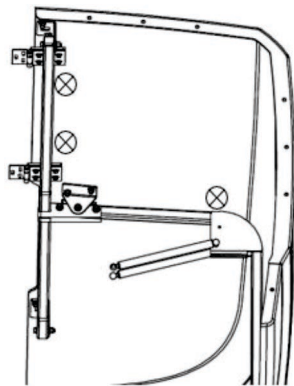
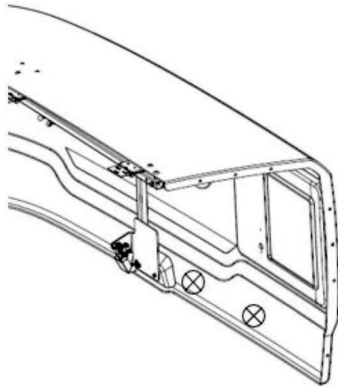


- 1 screw
- 2 flat washer
- 3 nylock nut

Procedure

- 7 Using a mild cleaning solvent, clean the surface and mount the adhesive wire clamps as necessary.

Genie part number 1273629GT



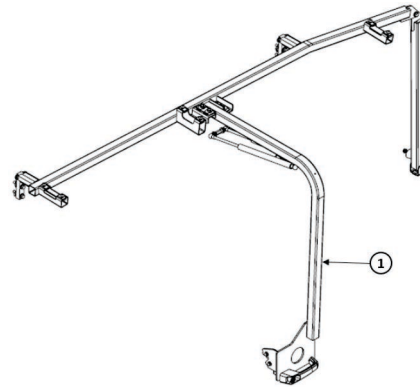
⊗ example of adhesive wire clamp locations

- 8 Route the keypad harness through the center hole and along the cover support.

- 9 Secure the keypad harness to the cover or cover support and the adhesive wire clamps using the provided cable ties.

Genie part number 21121GT

Note: Verify the harness does not bind or get caught on surrounding components as the door opens and closes.



1 cover support

- 10 Open the ground controls compartment.
11 Locate and disconnect Genie Lift Connect telematics device from the 12 pin gateway harness or 8 pin retrofit harness or adapter harness.

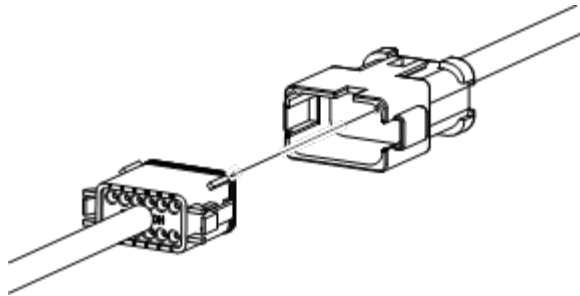
Note: To locate the telematics module, refer to the *Telematics Location* section that is appropriate for your machine.

Procedure

- 12 Connect the 12 pin connector of the access manager harness to the 12 pin connector of the gateway harness or 8 pin connector retrofit harness or adapter harness.

Note: Harness connectors are keyed for proper installation.

NOTICE Component damage hazard. Improper connections will result in damage to the telematics module and it is not covered under warranty.



example of keyed harness connector

- 13 Connect the telematics device harness connector to the 12 pin connector of access manager harness.

Models	Genie part number
Z30N, Z34N, Z34DC, Z45DC	1309221
Z33, Z34 IC/BE, Z45FE, Z45XC, Z51	1296896
Z40, Z45 BE	1305083
Z62, Z80	1296897

- 14 Route the 5 pin connector along the cover, cover support, and/or existing harness to the access manager keypad harness.

Note: Secure the cable using the provided cable ties.

Genie part number 21121GT

- 15 Connect the 5 pin access manager keypad harness connector to the 5 pin connector of access manager harness.
- 16 Align white dots on the connector and push the plug together to connect the access manager harness to the keypad.



- 17 Tighten the connector to hand tight.
- 18 Put the Access Manager user guide in the manual storage box located on the machine.
Genie part number 1312446GT
- 19 Connect the black negative battery cable to the engine battery.

WARNING Electrocuting/burn hazard. Contact with electrically charged circuits could result in death or serious injury. Remove all rings, watches and other jewelry.

Procedure

Relay Configuration

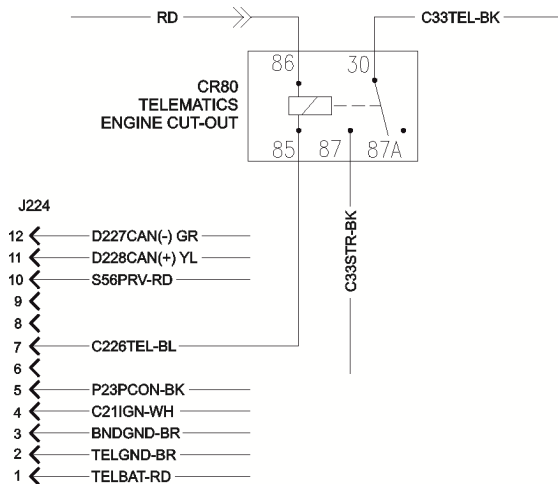
Z-80/60 models

This procedure only applies to the following serial numbers listed below.

from serial number
from Z8015-5353 to Z80-7415

- 1 Open the telematics connector box located on top of the ground control box and locate relay CR80.
- 2 Remove the wire from relay socket CR80, terminal 87A (NC) and install it into CR80, terminal 87 (NO).

Note: Secure the cable using the provided cable ties.



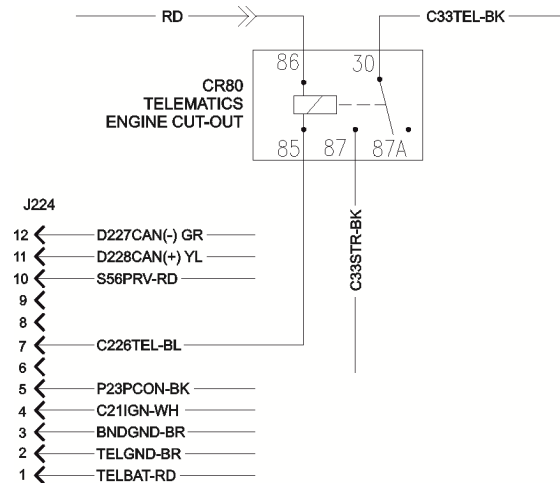
Z-80/60 models

This procedure only applies to the following serial numbers listed below.

from serial number
from Z80-7416

- 1 Open the telematics connector box located on top of the ground control box and locate relay CR80.
- 2 Remove the wire from relay socket CR80, terminal 87A (NC) and install it into CR80, terminal 87 (NO).

Note: Secure the cable using the provided cable ties.



Procedure

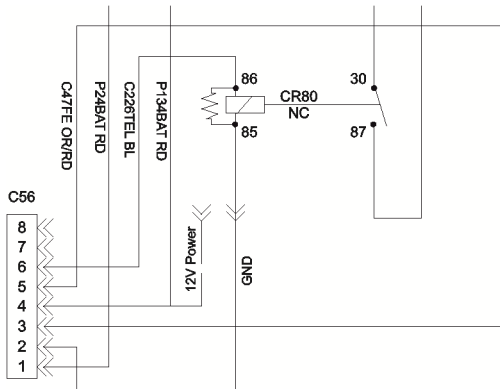
Z-62 models

This procedure only applies to the following serial numbers listed below.

from serial number
from Z6215A-101 to Z62H-4367
from Z6216N-101 to Z6216N-2999

- 1 Working at the ground control side, open the ground control box and locate relay CR80.
- 2 Remove the wire from relay socket CR80, terminal 87A (NC) and install it into CR80, terminal 87 (NO).

Note: Secure the cable using the provided cable ties.



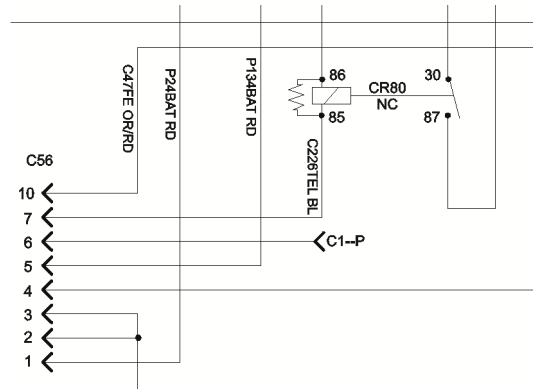
Z-62 models

This procedure only applies to the following serial numbers listed below.

from serial number
from Z62H-4368
from Z62D-482

- 1 Working at the ground control side, open the ground control box and locate relay CR80.
- 2 Remove the wire from relay socket CR80, terminal 87A (NC) and install it into CR80, terminal 87 (NO).

Note: Secure the cable using the provided cable ties.



Procedure

Z-30N, Z34N, Z-34 DC, Z-45 DC/Bi-Energy models

This procedure only applies to the following serial numbers listed below.

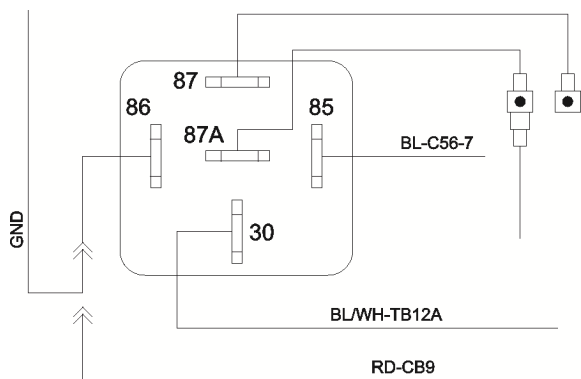
from serial number
from Z30N15-16299
from Z30N15D-101
from Z34N15-11814
from Z3415ND-101
from Z3415-10371
from Z452515A-53271 to Z4525F-61471
from Z4525F-61472

- Z-30, Z-34 models:** Open the turntable cover on the ground control side, remove the terminal strip cover, and locate relay CR80.

Z-45 models: Open the ground control box. Remove the terminal strip cover and locate relay CR80.

- Remove the wire from relay socket CR80, terminal 87A (NC) and install it into CR80, terminal 87 (NO).

Note: Depending on machine serial number, terminated wire may already be connected to terminal 87.



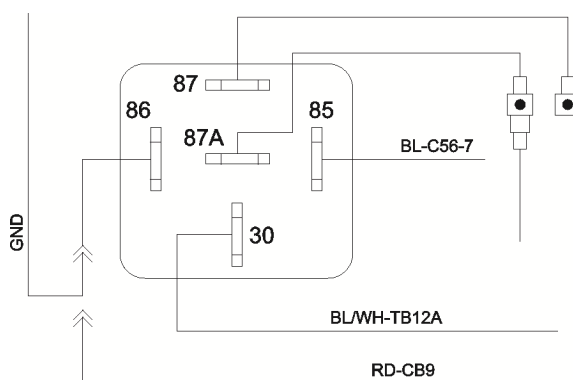
Z-34 IC/BE models

This procedure only applies to the following serial numbers listed below.

from serial number
from Z3415-10384
from Z3415D-101

- Working at the ground control side, open the ground control box and locate relay CR80.
- Remove the wire from relay socket CR80, terminal 87A (NC) and install it into CR80, terminal 87 (NO).

Note: Depending on machine serial number, terminated wire may already be connected to terminal 87.



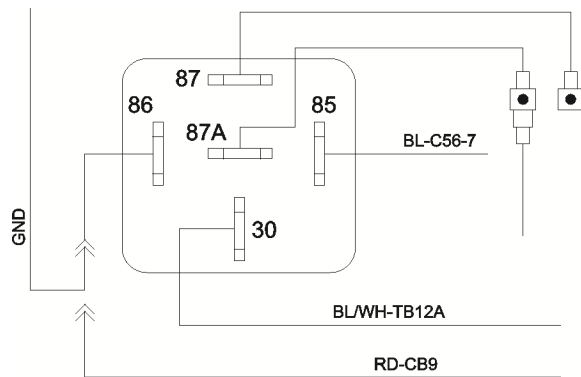
Procedure

Z-45 XC, Z-51 models

This procedure only applies to the following serial numbers listed below.

from serial number
from Z4525XCF-101 to Z4525XCF-407
from Z4525XCF-408
from Z5130M-2000

- 1 Working at the ground control side, open the ground control box and locate relay CR80.
- 2 Remove the wire from relay socket CR80, terminal 87A (NC) and install it into CR80, terminal 87 (NO).



Access Manager Activation

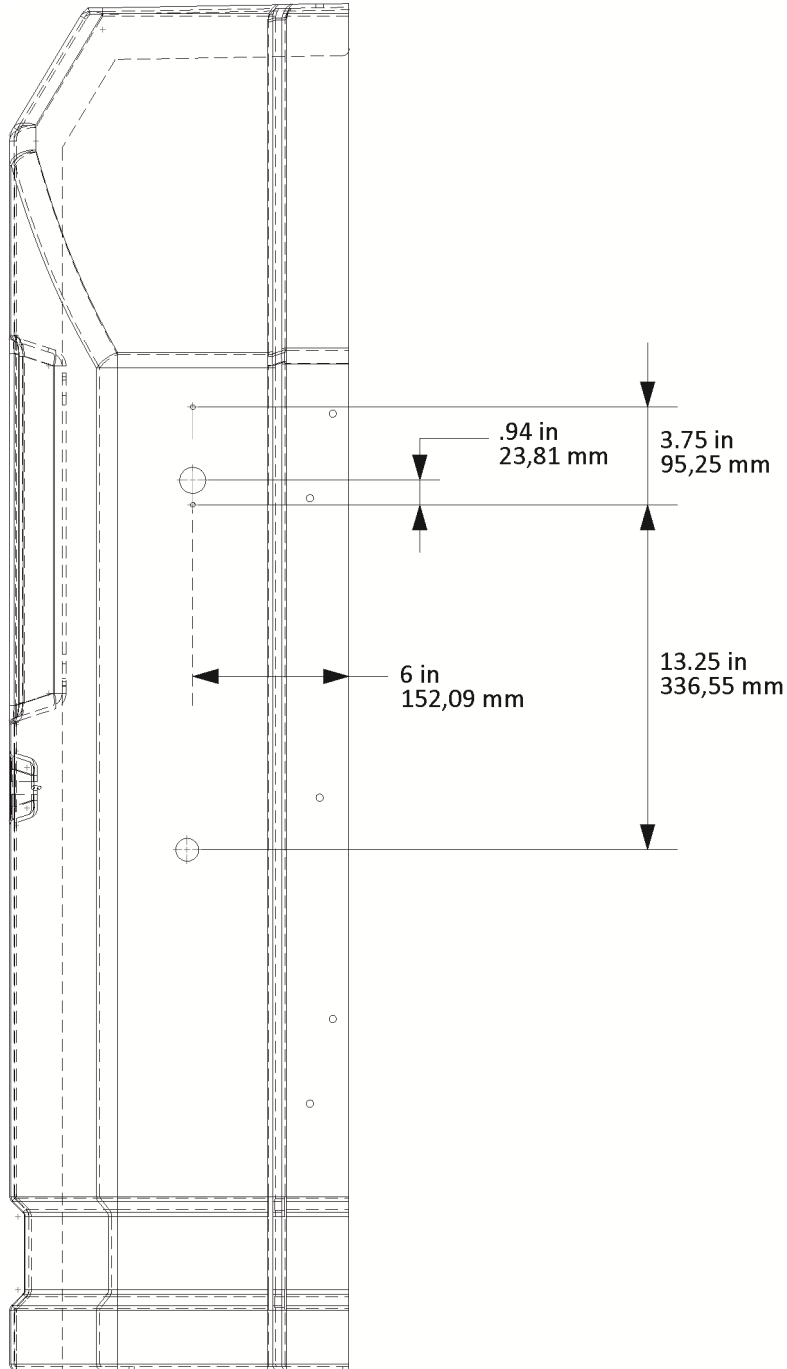
- 1 Navigate to the Options menu on the machine and verify Lift Connect is selected.
- 2 To complete activation of your Access Manager keypad please contact the Lift Connect team.

mailto:

AWP.LiftConnectSubscriptions@terex.com

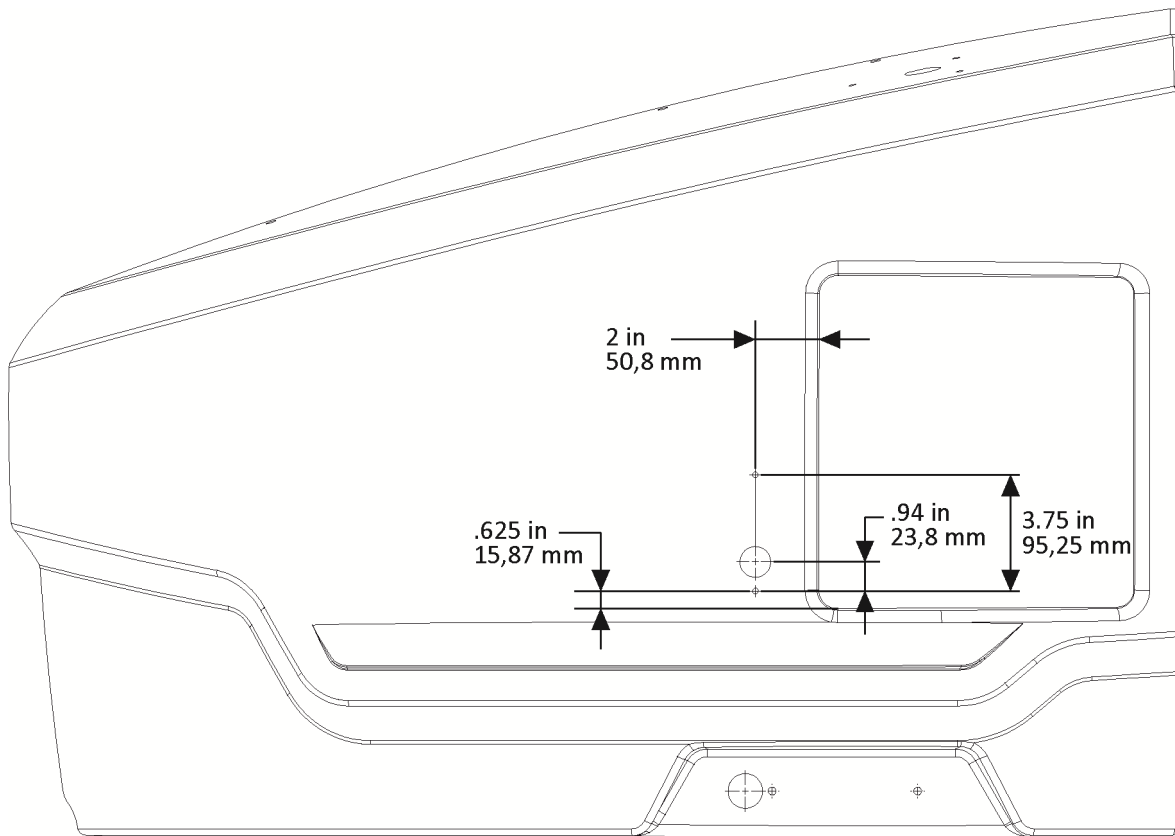
Drilling Diagram

Z30/20N models



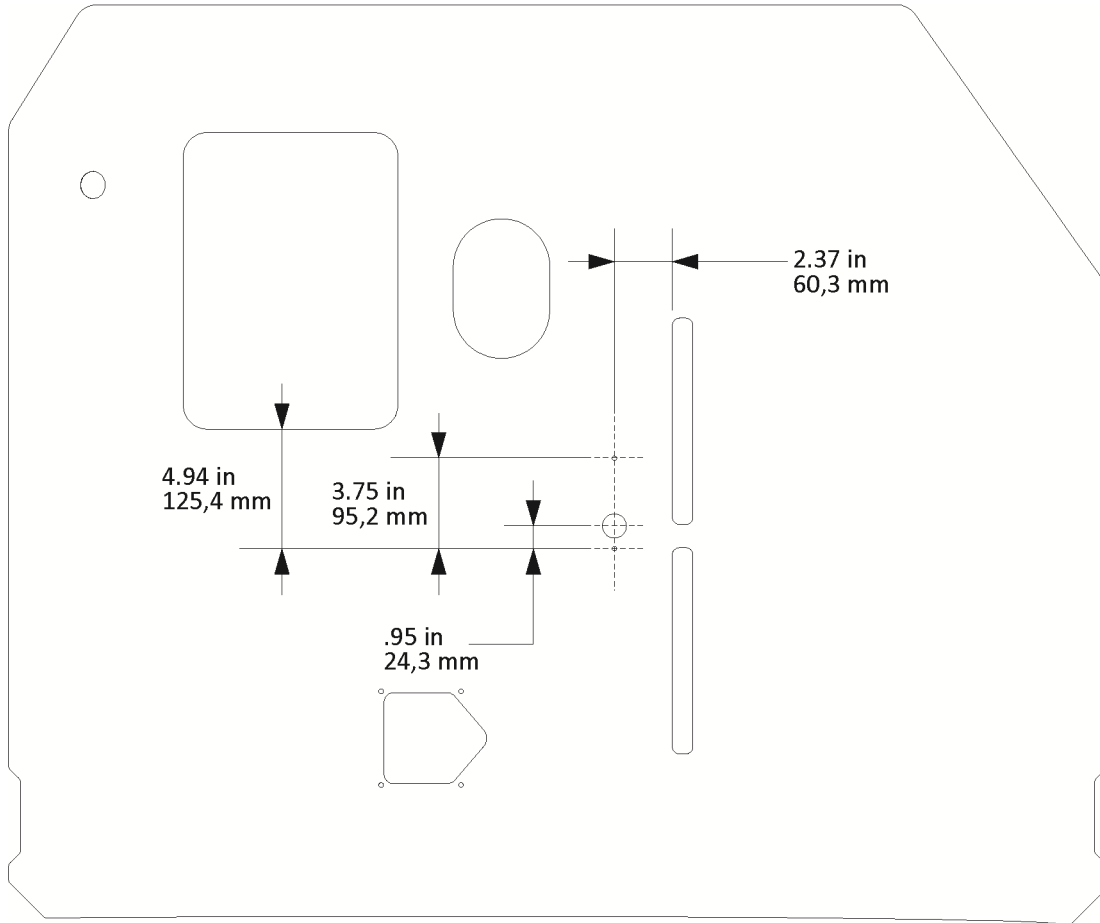
Drilling Diagram

Z33/18 models



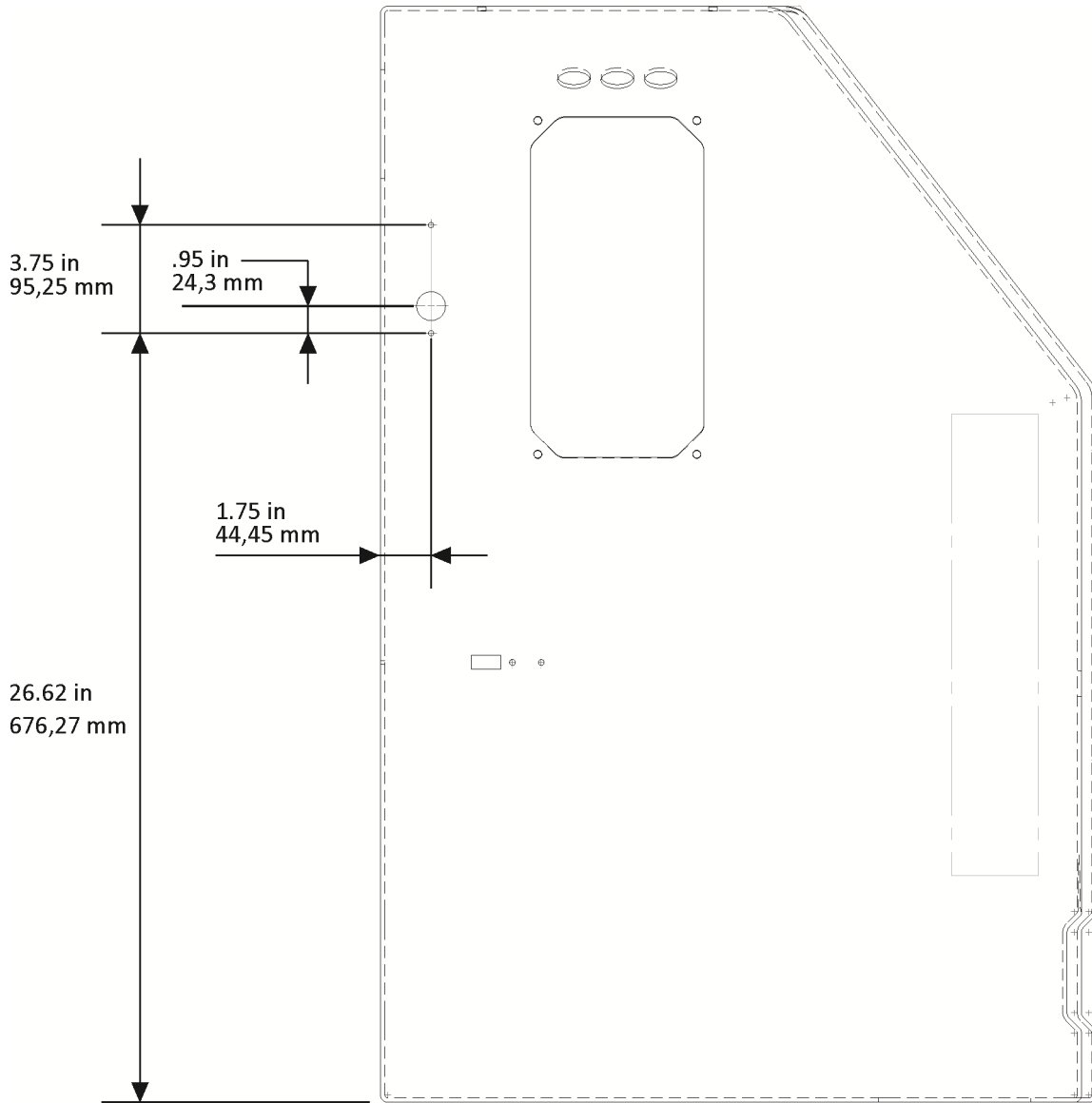
Drilling Diagram

Z34 IC, Z34 Bi-Energy models



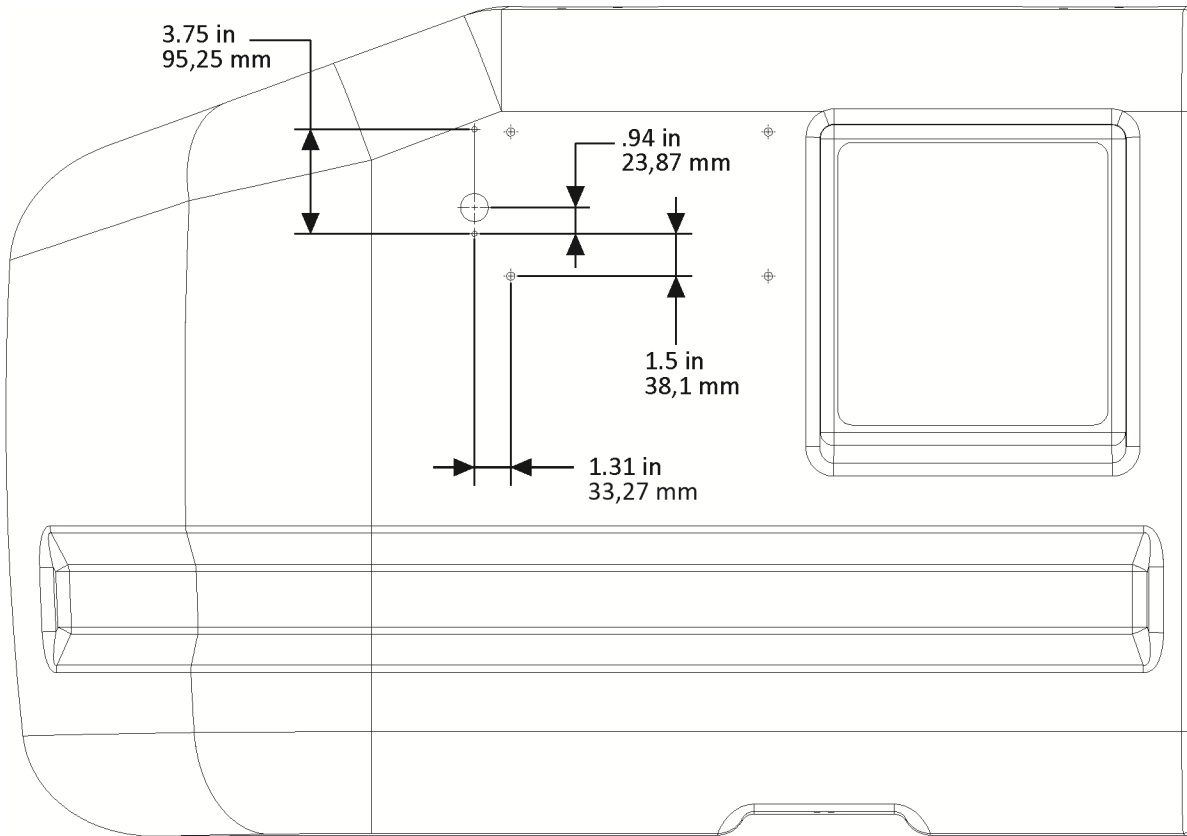
Drilling Diagram

Z34 DC, Z34N models



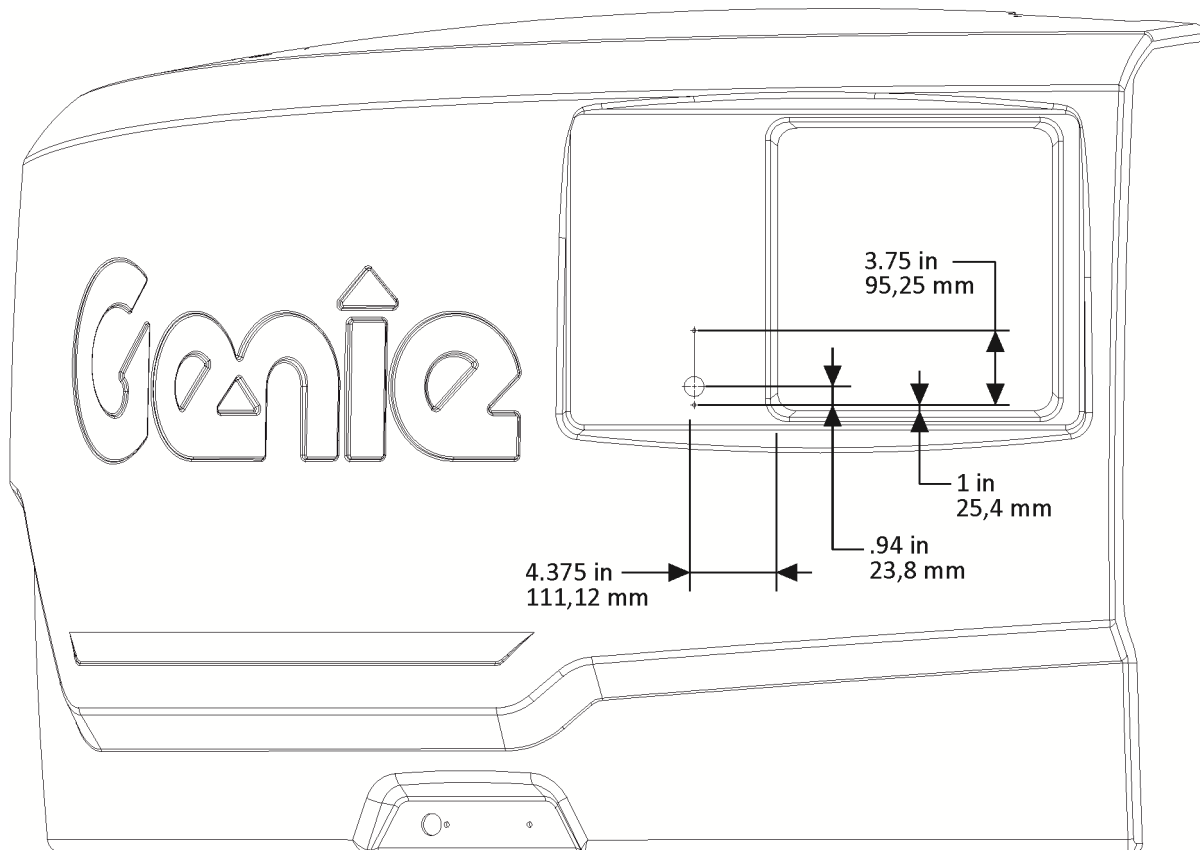
Drilling Diagram

Z40, Z45 DC/Bi-Energy models



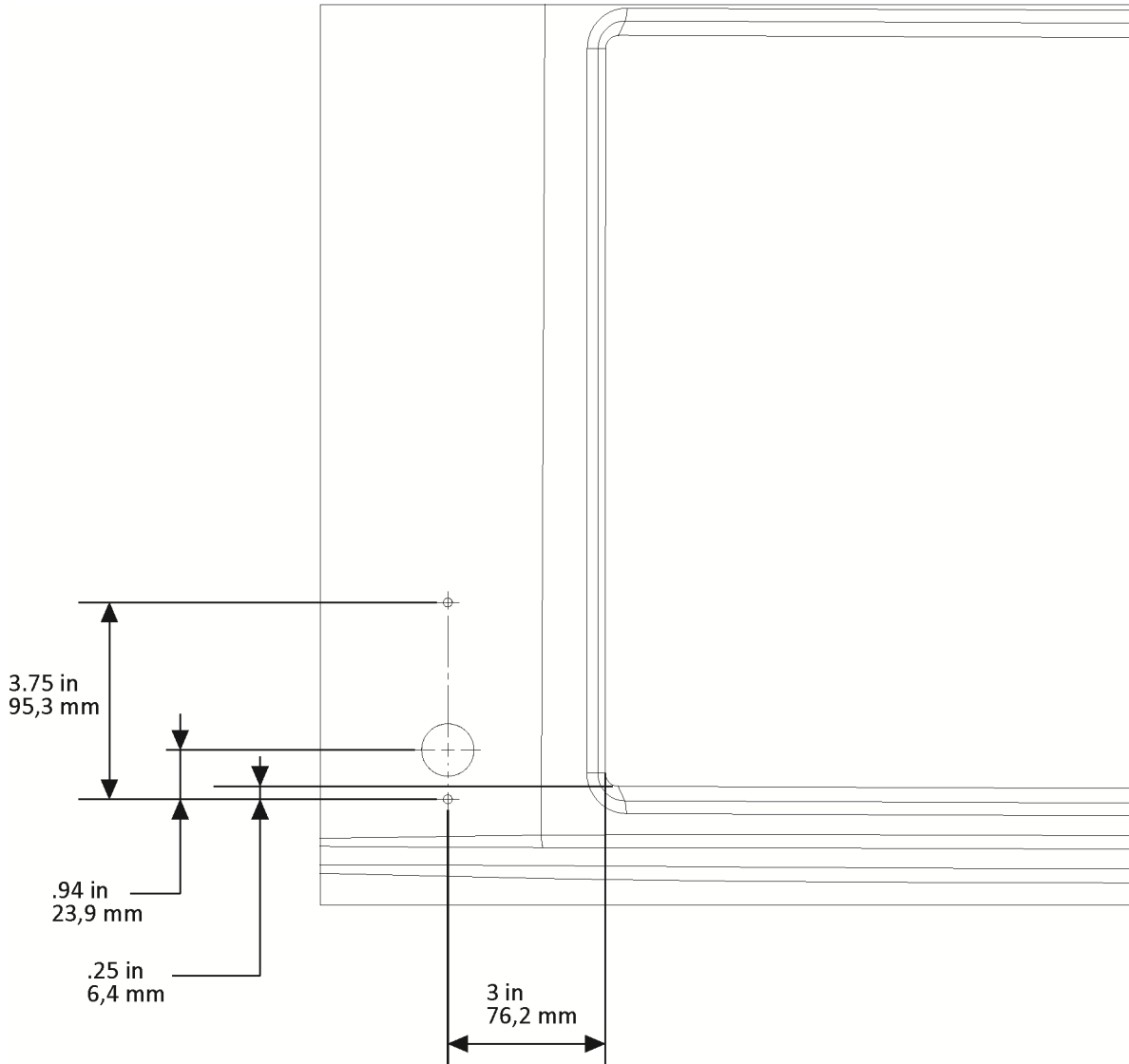
Drilling Diagram

Z45XC, Z51 models



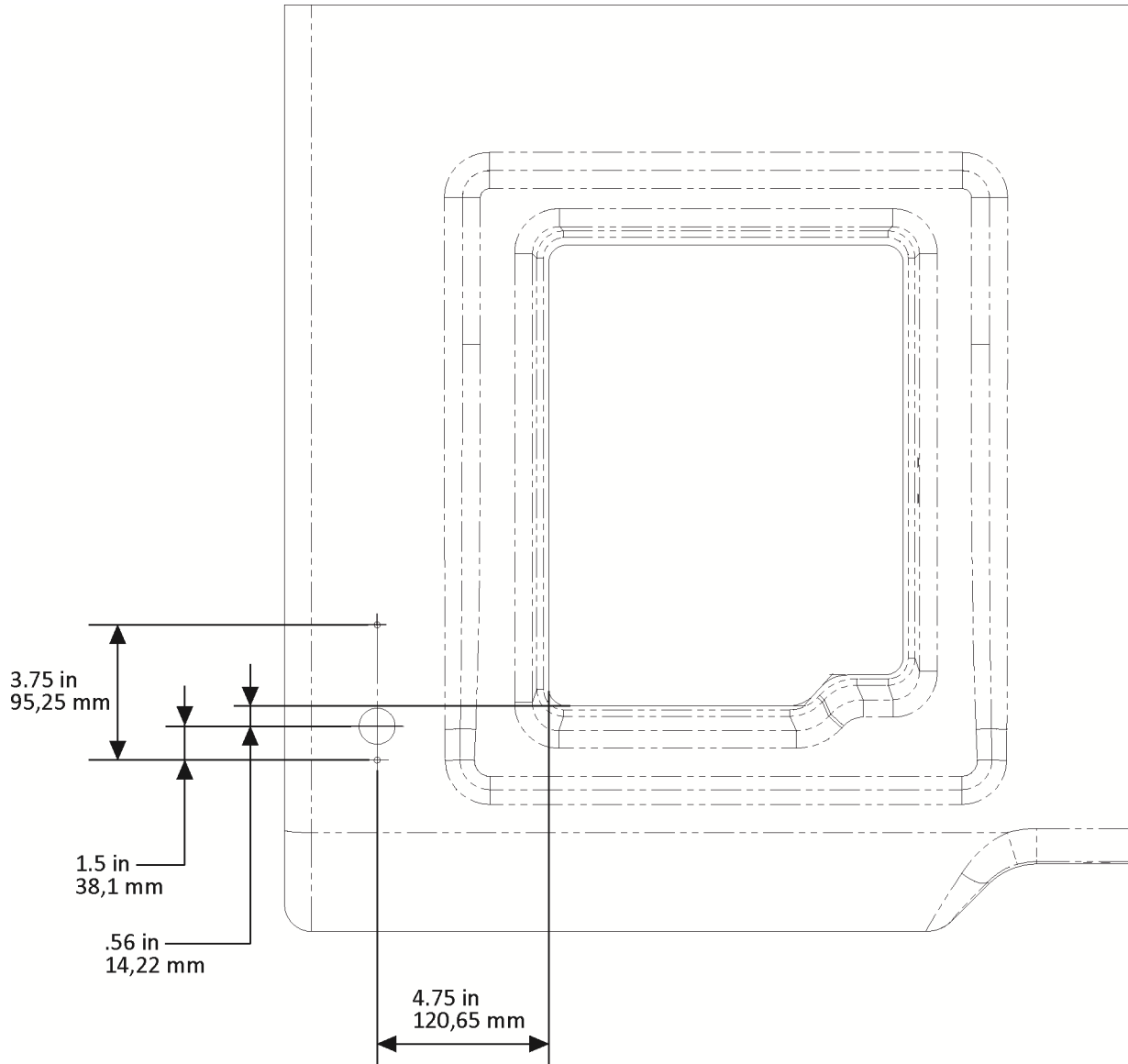
Drilling Diagram

Z62 models



Drilling Diagram

Z80 models



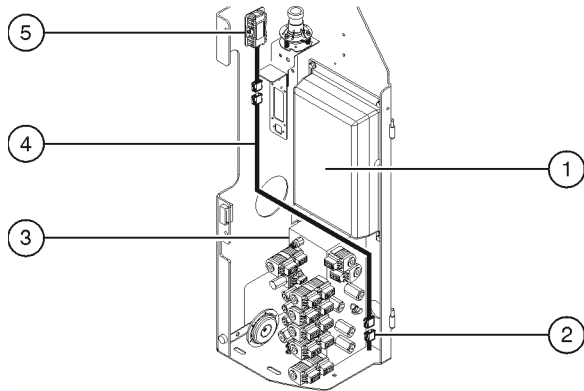
Telematics Location

Z-30/20 N, Z-30/20N RJ

from serial number

from Z30N15-16299 to Z30NF-20931

from Z30N15D-101 to Z30ND-758



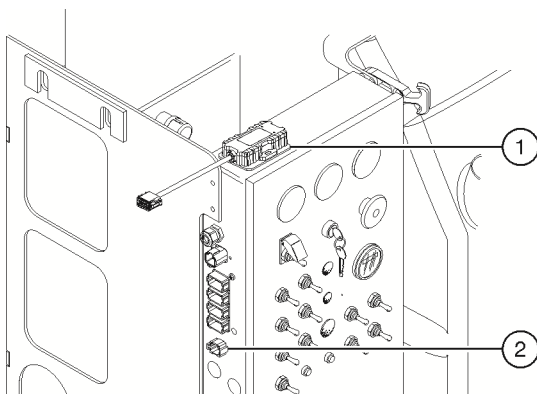
- 1 terminal strip cover
- 2 connector, 8 pin
- 3 function manifold
- 4 access manager harness
- 5 telematics module

Z-34/22 IC, Z-34/22 Bi-Energy

from serial number

from Z3415-10384 to Z34F-12992

from Z3415D-101 to Z34ND-1147



- 1 telematics module
- 2 connector, 8 pin

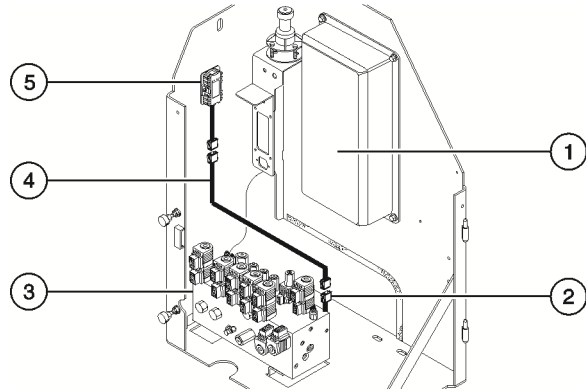
Z-34/22 DC, Z-34/22N

from serial number

from Z3415-1037

from Z34N15-11814 to Z34NF-15529

from Z3415D-101 to Z34ND-1147



- 1 terminal strip cover
- 2 connector, 8 pin
- 3 function manifold
- 4 access manager harness
- 5 telematics module

Telematics Location

Z-45/25 DC

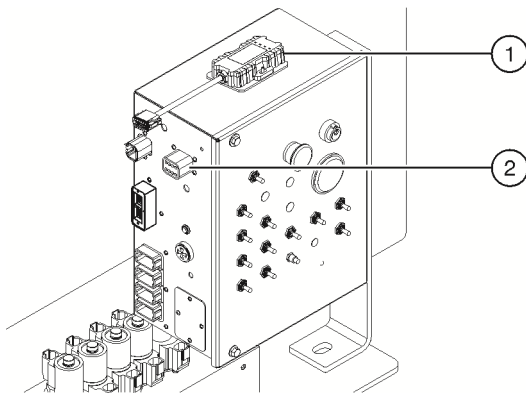
from serial number

from Z452515A-53271 to Z4525F-61471

from Z452515B-4735

from Z452515D-327

from Z452515M-5453



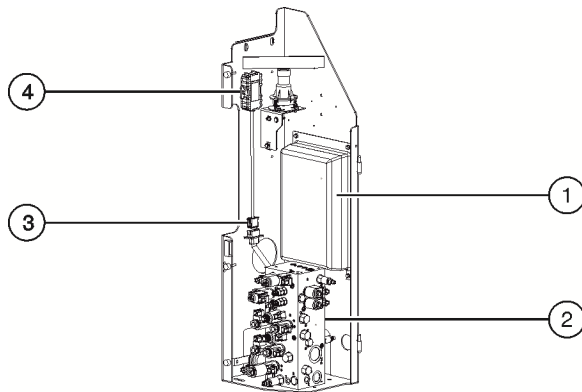
- 1 telematics module
- 2 connector, 8 pin

Z-30/20 N, Z-30/20N RJ

from serial number

from Z30NF-20932

from Z30N15D-759



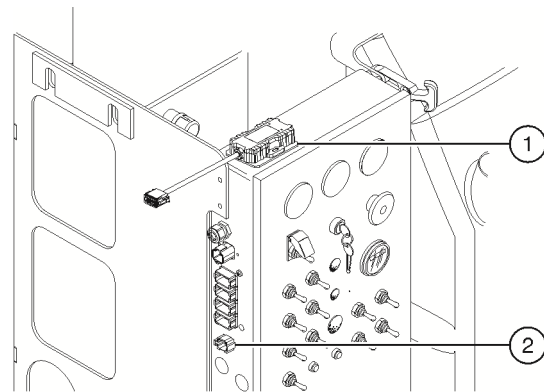
- 1 terminal strip cover
- 2 function manifold
- 3 connector, 12 pin
- 4 telematics module

Z-34/22 IC, Z-34/22 Bi-Energy

from serial number

from Z34F-12993

from Z34ND-1148



- 1 telematics module
- 2 connector, 12 pin

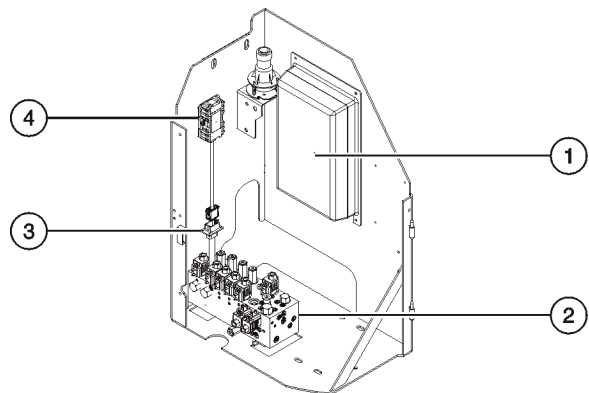
Z-34/22 DC, Z-34/22N

from serial number

from Z34NF-15532

from Z34F-12993

from Z34ND-1148



- 1 terminal strip cover
- 2 function manifold
- 3 connector, 12 pin
- 4 telematics module

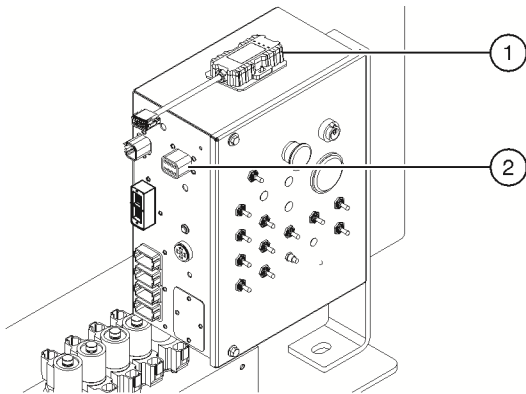


Telematics Location

Z-45/25 DC

from serial number

from Z4525F-61472

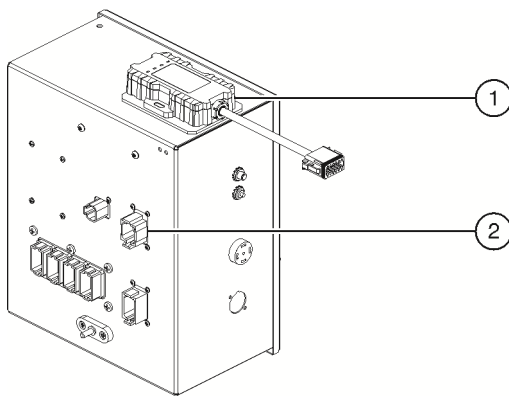


- 1 telematics module
- 2 connector, 12 pin

Z-33/18

from serial number

from Z331815M-124 to Z3318M-2673



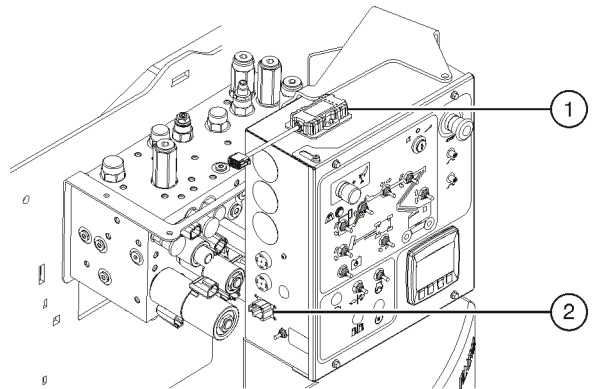
- 1 telematics module
- 2 connector, 8 pin / 12 pin

Z-45/25 XC

from serial number

from Z4525XCF-101 to Z4525XCF-407

from Z4525XCM-101

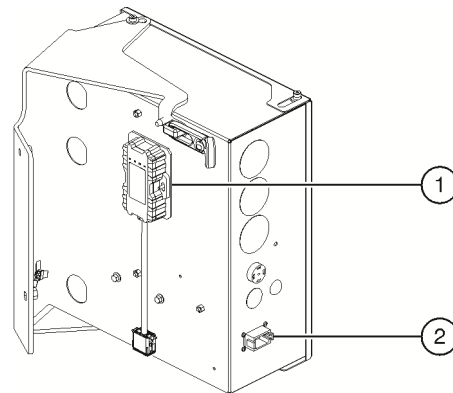


- 1 telematics module
- 2 connector, 8 pin / 12 pin

Z-51/30

from serial number

from Z513015B-1352



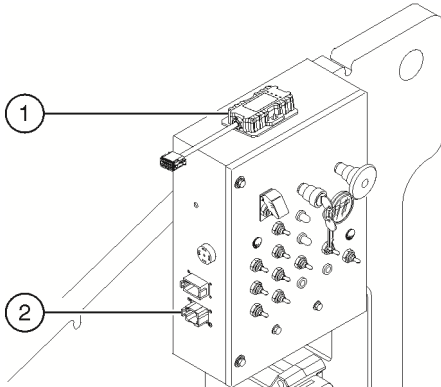
- 1 telematics module
- 2 connector, 8 pin / 12 pin

Telematics Location

Z-40/23

from serial number

from Z40N15-2779



- 1 telematics module
- 2 connector, 8 pin / 12 pin

Z-45/25 Bi-Energy

from serial number

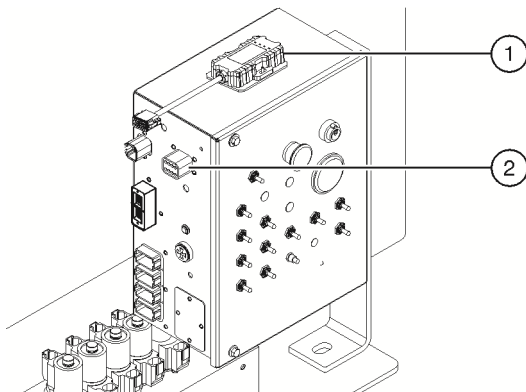
from Z452515A-53271 to Z4525F-61471

from Z452515B-4735

from Z452515D-327

from Z452515M-5453

from Z4525F-61472



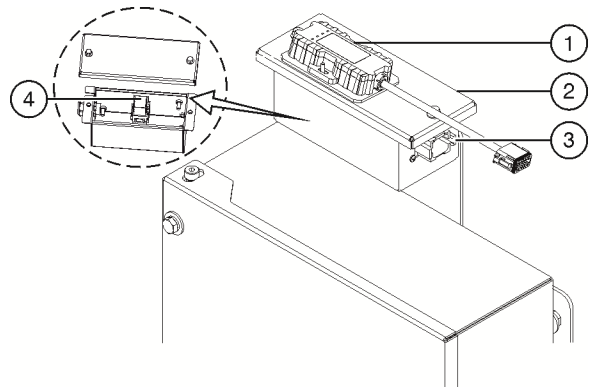
- 1 telematics module
- 2 connector, 8 pin / 12 pin

Z-80/60

from serial number

from Z8015-5353 to Z80-7415

from Z80-7416



- 1 telematics module
- 2 telematics connector box
- 3 connector, 8 pin
- 4 relay